

Apache 2 Tier

PRODUCT DESCRIPTION

Apache surface mounted rings are made of extruded aluminum with a direct only component and a glare free acrylic ring. Ring sizes range from 16" to 24" and can be combined up to 3 rings or more. Tunable white and RGBW. Over 6500 powder coated colors, ships assembled.



FEATURES

- 5-year limited warranty.
- Ships assembled.
- Direct Illumination.
- Extruded aluminum housing 16" and 24", 1 continuous ring without joints.
- Fixture lumens per watt ratio 65 LPW.

SPECIFICATIONS

- 90+ CRI.
- Input: 100-277V, 50/60Hz.
- 1-10V dimming standard, ELV / TRIAC dimming available.
- UL listed, suitable for dry location.
- Gloss White, Black Jack, Platinum Silver and Oil bronze color finish as standard, 6,500 custom colors are available.
- Built in color temperature selectable. Choose from 3000K/3500K/4000K. Custom color temperatures. lumen outputs, RGBW, Tunable White available.
- Custom Configurations and multiple tiers rings available.



PARTS PACKED WITH STANDARD FIXTURE

- Plastic Anchors, Screws, Wire Connectors
- CCT Selector Switch



MODEL INFORMATION:

Example: SB-V02A40WSB

| Products Series | Wattage/Size | Options | RGBW/CCT Select Only | Profile Finishes |
|-----------------|----------------|--|--|---|
| *SB-V02A | *40W = 16"+24" | *S=1-10V dimming, CRI 90 3000K/3500K/4000K Color Selectable (Standard), 4000K factory color default set | T=3K-4K Tunable White | *B=Black Jack |
| | | L=ELV/Triac dimming with 3000K/3500K/4000K Color Selectable | R4=RGB+4000K (standard) | S=Platinum Silver |
| | | D=DMX | R3=RGB+3000K | W=Gloss White |
| | | Z=ZigBee | | O=Oil Rubbed Bronze |
| | | DMX for RGBW and Tunable White, control by Wall Switch or DMX control system. | Do not select this column if selected "S" | Full Color Name or RAL number for Custom Colors, select from Color Collections |
| | | ZigBee for RGBW and CCT tunable / dimmable using remote, DMX, App and Google Alexa. | | |

LUMEN OUTPUT

| Model Number | Size | Wattage | Kevin | Lumen |
|--------------|---------|---------|-------------------|---------|
| SB-V02A | 16"+24" | 40W | 3000K/3500K/4000K | 3413 lm |

STANDARD COLOR FINISHES



GLOSS WHITE



PLATINUM SILVER



BLACK JACK




OIL RUBBED BRONZE

In addition to our standard colors, we offer more than 6,500 [finishes and colors](#) for your luminaire. We can match your paint sample or any RAL finish. Add texture and originality to create a perfect match.

EMERGENCY BATTERY OPTIONS

[SEE SPEC](#)

| PICTURE | MODEL NUMBER | DESCRIPTION |
|---|----------------|--|
|  | SB-EBP/5W/B | Factory installed Remote Emergency Battery Pack 5W 90 minutes |
| | SB-EBP/10.7W/B | Factory installed Remote Emergency Battery Pack 10.7W 90 minutes |
| | SB-EBP/17W/B | Factory installed Remote Emergency Battery Pack 17W 90 minutes |

RGBW/TUNABLE WHITE SMART CONTROL

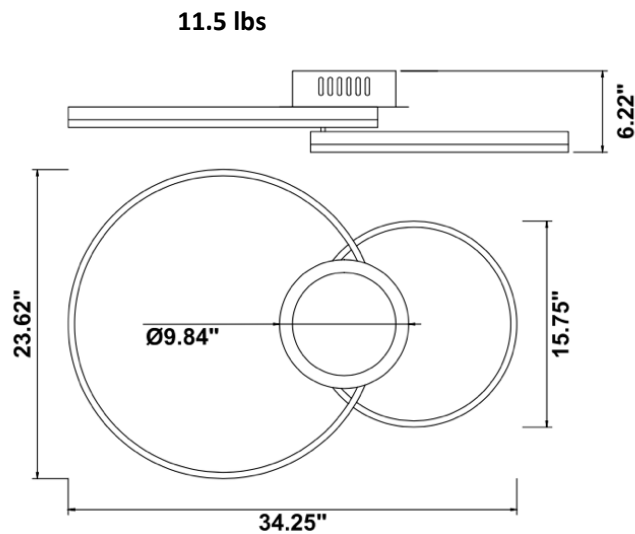
[SEE SPEC AND VIDEO](#)

Get Smart

Using Amazon Echo, Echo Dot, or any Alexa-enabled device allows you to turn your luminaire on and off, dim the light and change light color to Red, Green, Blue or White independently by using voice command or Smart phone app, DMX, Handheld remote or wall control.

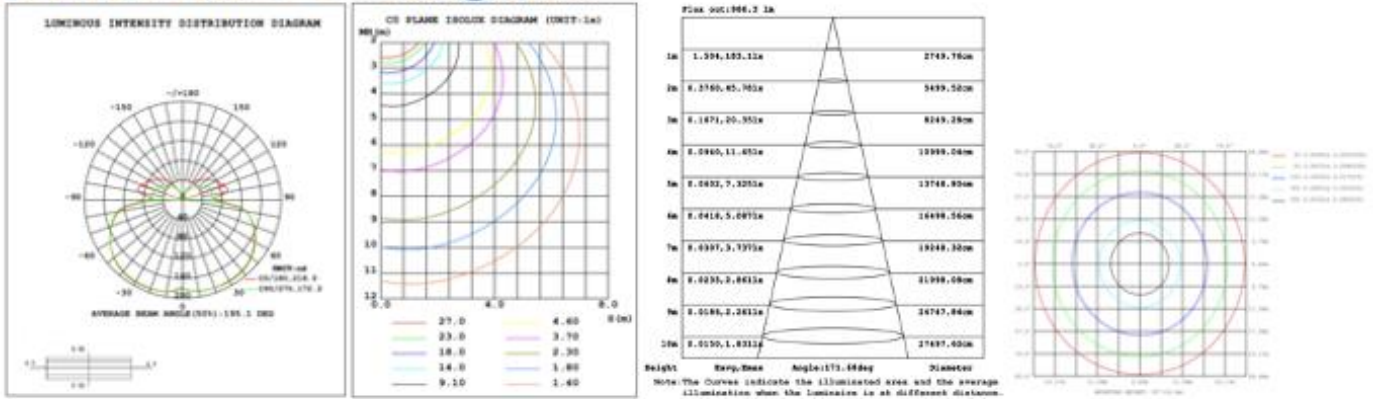
DIMENSIONS & WEIGHTS: Canopy Size for ZigBee & DMX: 15.75" x 2.76"

15.57" = 16" / 23.62" = 24"



PHOTOMETRIC: Single ring test report

SB-D01A20WSZ 16" 20W @4000K



SB-D01A30WSZ 24" 30W @4000K

