

Architectural Hanging Fixture Installation Guide

LED FIXTURE INFORMATION & WARNINGS

- Read all warnings and instructions to reduce the risk of death, personal injury or property damage from fire, electric shock, falling parts, cuts abrasions and other hazards
- Make sure that you have all necessary parts by checking the parts list. If any part is missing or damaged.
- This product must be installed in accordance with the applicable local & national electrical codes.
- Do not substitute any parts, leave parts out, or use any parts that are worn or broken. All parts must be used as indicated in these instructions.
- Please handle the LED light with care when unpacking. Do not apply pressure to the LED's, do not open any factory sealed compartments, and do not touch the LEDs with your hands.
- Do not remove or replace the manufactured driver that is provided with the fixture.
- Excess cable should be neatly looped and tucked into the canopy. **DO NOT CUT WIRES** attached to the fixture under any circumstance. Cutting wires will VOID your warranty.
- Please remove the canopy from the box prior to removing the fixture body. Failure to do so can potentially lead to cables getting tangled.
- Disconnect power prior to installation or servicing of fixture, fixture is designed to be installed to a junction box (not provided).

Fixture Diagram: All fixtures mount the same way (even the multi-tier units)

Parts List

- Ⓐ Mounting Bracket Ⓑ Plastic Anchors Ⓒ Anchor Screws



- Ⓓ Outlet Screws Ⓔ Wire Connectors Ⓕ Canopy Screws

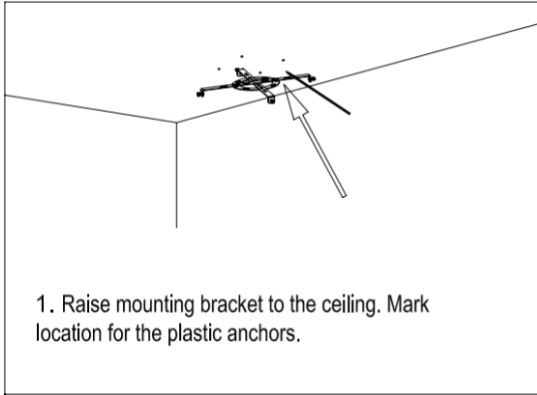


Parts Packed with Fixture

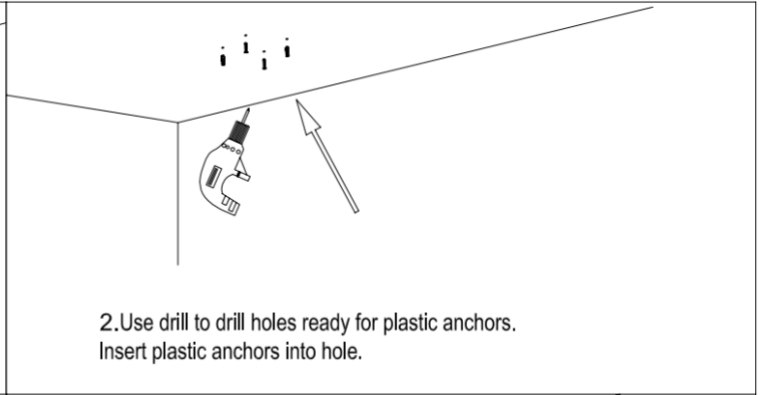
- Ⓑ Plastic Anchors x 4 Ⓒ Anchor Screws x 4 Ⓓ Outlet Screws x 3 Ⓔ Wire Connectors x 3

Tools You May Need

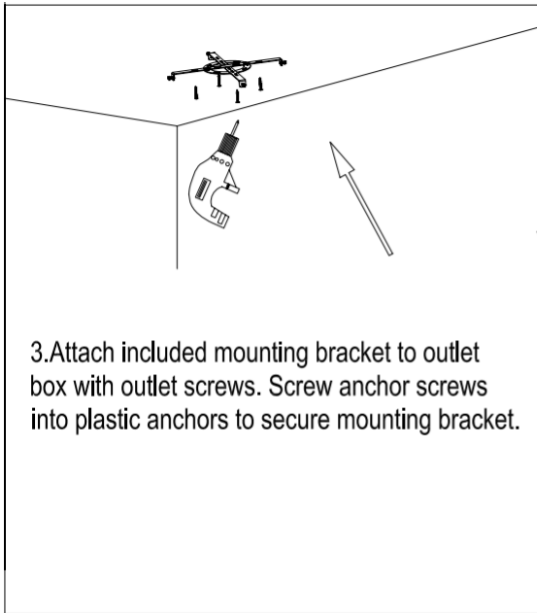




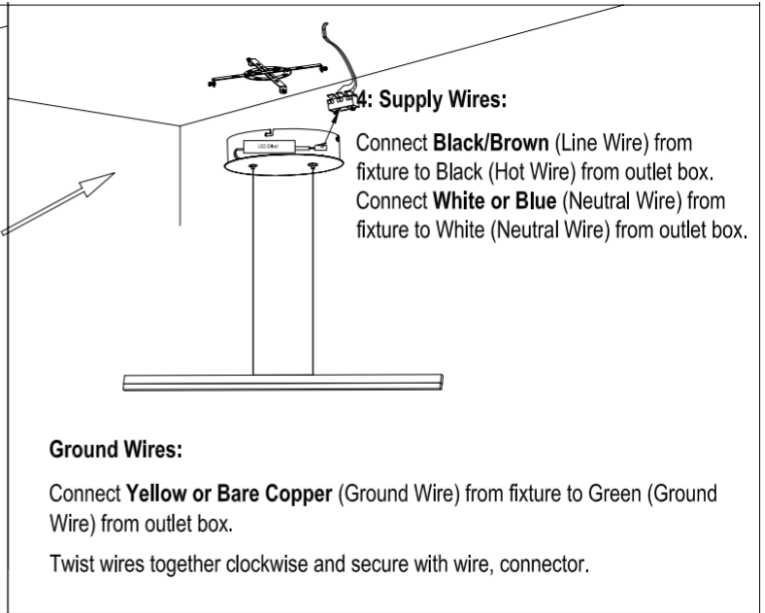
1. Raise mounting bracket to the ceiling. Mark location for the plastic anchors.



2. Use drill to drill holes ready for plastic anchors. Insert plastic anchors into hole.



3. Attach included mounting bracket to outlet box with outlet screws. Screw anchor screws into plastic anchors to secure mounting bracket.



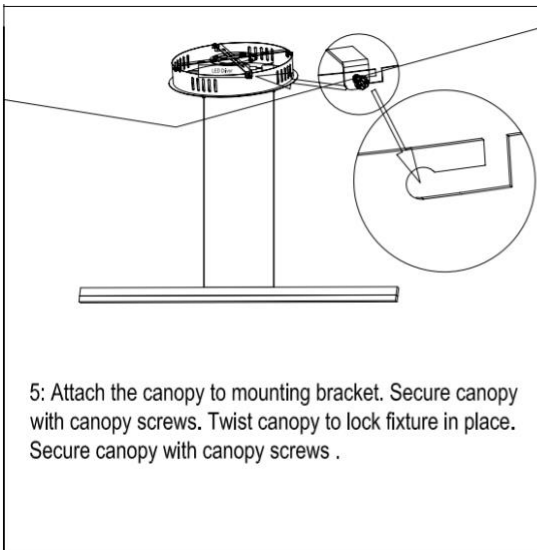
4: Supply Wires:

Connect **Black/Brown** (Line Wire) from fixture to Black (Hot Wire) from outlet box. Connect **White or Blue** (Neutral Wire) from fixture to White (Neutral Wire) from outlet box.

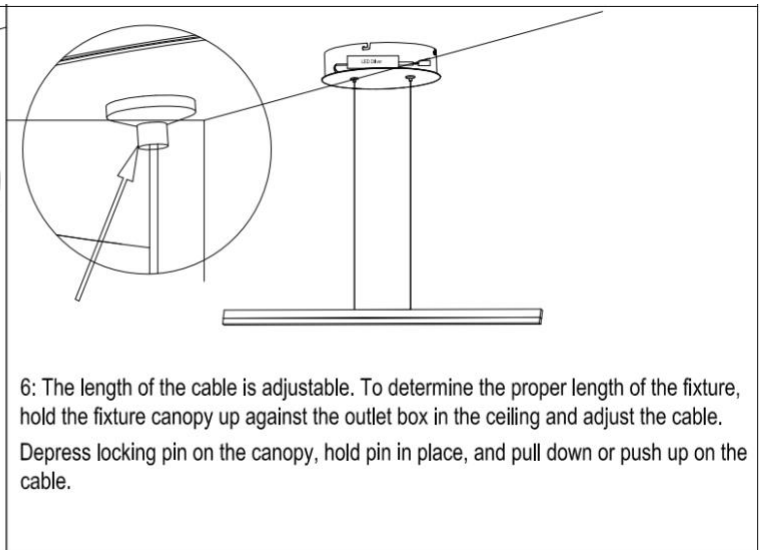
Ground Wires:

Connect **Yellow or Bare Copper** (Ground Wire) from fixture to Green (Ground Wire) from outlet box.

Twist wires together clockwise and secure with wire, connector.



5: Attach the canopy to mounting bracket. Secure canopy with canopy screws. Twist canopy to lock fixture in place. Secure canopy with canopy screws .



6: The length of the cable is adjustable. To determine the proper length of the fixture, hold the fixture canopy up against the outlet box in the ceiling and adjust the cable. Depress locking pin on the canopy, hold pin in place, and pull down or push up on the cable.