



## Vail 16 F Black / H Black Gold with Ring

### PRODUCT DESCRIPTION

Each Vail light pod is roughly 3.5" dia. and weighs just over 1 lb, It is machined from a block of solid aluminum. It has an indirect and direct lighting component. Available with 1 to 16 light pods. Custom configurations, over 6,500 color finishes and suspension cable lengths are available. 3000K/3500K/4000K selectable by switch or RGB, Tunable White / Dimmable. Ships assembled.

### FEATURES

- 5-years limited warranty.
- Direct and Indirect illumination.
- Ships Assembled.
- Fixture delivered lumens per watt ratio 22 LPW.
- Customize color temperatures and adjust lumen output, RGB, Tunable White available.
- Driver concealed within the canopy or in the remote box.
- White and White with Gold color finish as standard, custom color is available.

### SPECIFICATIONS

- 90+ CRI.
- Input: 100-277V, 50/60Hz
- UL listed, suitable for dry Location
- Built in color temperature selectable. Select from 3000K/3500K/4000K.
- 1-10V dimming standard, ELV, TRIAC dimming available.
- Suspended on 10' adjustable height cables, custom cable lengths available
- Solid aluminum housing, each individual Vail size 3.35" x 3.48", 1.15 lbs.

### PARTS PACKED WITH STANDARD FIXTURE

- Plastic Anchors, Screws, Wire Connectors
- CCT Selector Switch



SB-P16F  
Black with Ring



SB-P16H  
Black Gold with Ring

**MODEL INFORMATION:**

**Example: SB-P16F100WSB**

Products Series	Vail housing Finishes	Wattage	Options	RGB/CCT Select Only	Canopy Finishes	Aircraft Cable
*SB-P16	*F=Black (standard)	*100W=100W	*S=1-10V dimming, CRI 90 3000K/3500K/4000K Color Selectable (Standard), 4000K factory color default set.	T=3000K-4000K Tunable White	*B=Black Jack	*Blank=10' foot 120" (Standard)
	H=Black with Gold (standard)		L=ELV / Triac dimming with 3000K/3500K/4000K Color Selectable	R=RGB	S=Platinum Silver	5'=5 foot 60"
			D=DMX		W=Gloss White	15'=15 foot 180"
			Z=ZigBee			20'=20 foot 240"
Full Color Name or RAL number for Custom Colors, select from <a href="#">Color Collections</a>	DMX for RGB and Tunable White, control by Wall Switch or DMX control system.	Do not select this column if selected "S"	Full Color Name or RAL number for Custom Colors, select from <a href="#">Color Collections</a>	25'=25 foot 300"		
				ZigBee for RGB and CCT tunable / dimmable using remote, DMX , App and Google Alexa.		

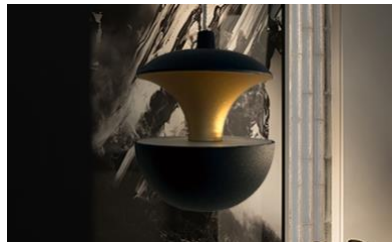
**LUMEN OUTPUT**

Model Number	Number of lights	Wattage	Kevin	Lumen
SB-P16F/H	16	100W	3000K/3500K/4000K selectable	2896 lm

**STANDARD COLOR FINISHES**



F: Black




H: Black with Gold

In addition to our standard colors, we offer more than 6,500 [finishes and colors](#) for your luminaire. We can match your paint sample or any RAL finish. Add texture and originality to create a perfect match

**EMERGENCY BATTERY OPTIONS**

[SEE SPEC](#)

PICTURE	MODEL NUMBER	DESCRIPTION
	SB-EBP/5W/B	Factory installed Remote Emergency Battery Pack 5W 90 minutes
	SB-EBP/10.7W/B	Factory installed Remote Emergency Battery Pack 10.7W 90 minutes
	SB-EBP/17W/B	Factory installed Remote Emergency Battery Pack 17W 90 minutes

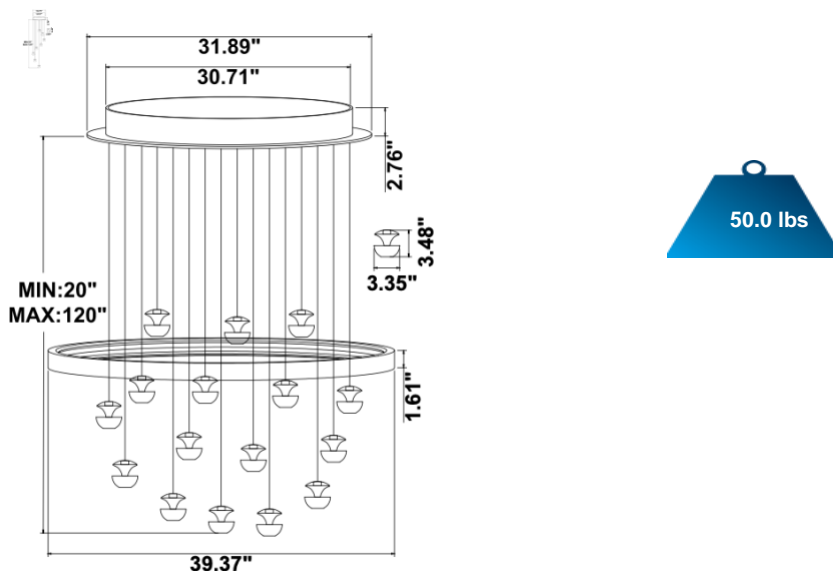
**RGB/TUNABLE WHITE SMART CONTROL**

[SEE SPEC AND VIDEO](#)

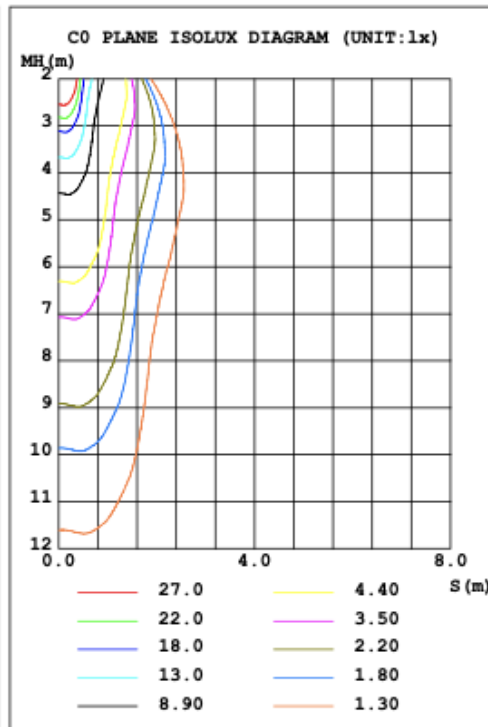
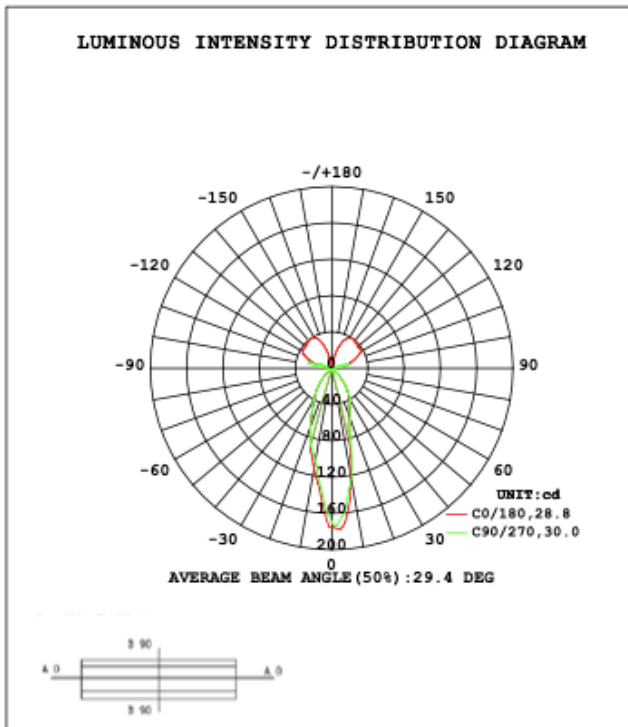
# Get Smart

Using Amazon Echo, Echo Dot, or any Alexa-enabled device allows you to turn your luminaire on and off, dim the light and change light color to Red, Green, Blue or White independently by using voice command or Smart phone app, DMX, Handheld remote or wall control.

**DIMENSION & WEIGHT:** Canopy Size for ZigBee & DMX: 15.75" x 2.76"



**PHOTOMETRIC: Test report for 1 Light only**



Flux out: 25.29 lm

Height	Eavg, Emax	Angle: 28.85deg	Diameter
1m	112.1, 189.01lx		51.45cm
2m	28.03, 47.241lx		102.91cm
3m	12.46, 21.001lx		154.36cm
4m	7.007, 11.811lx		205.81cm
5m	4.484, 7.5591lx		257.26cm
6m	3.114, 5.2491lx		308.72cm
7m	2.288, 3.8561lx		360.17cm
8m	1.752, 2.9531lx		411.62cm
9m	1.384, 2.3331lx		463.07cm
10m	1.121, 1.8901lx		514.53cm

Note: The Curves indicate the illuminated area and the average illumination when the luminaire is at different distance.

