

WATT/CCT  
FIELD-ADJUSTABLE

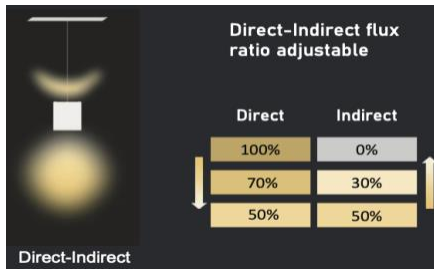
2FT 4FT 8FT

## PRODUCT DESCRIPTION

**Whistler Classic Direct-Indirect Linear Field** Wattage & Kelvin temp selectable. Length: 2', 4', 8' width 3.2" with different connector built different shapes, can be widely used indoor (damp locations) Excellent for hospitals, schools, office, shops, restaurants, storage rooms, supermarkets, etc.

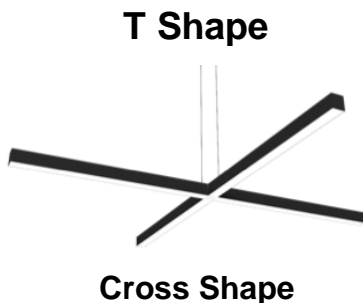
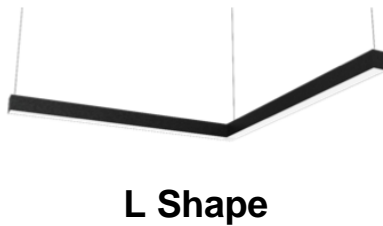
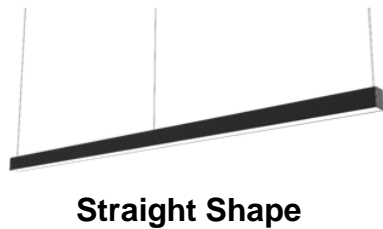
### FEATURES

- 5-year limited warranty.
- Ships assembled.
- Direct-Indirect flux ratio adjustable. Direct: 50%/70%/100%, indirect: 0%/30%/50%
- Extruded aluminum housing 2', 4' and 8'. Continuous run available.
- Fixture lumens per watt ratio 130 LPW.



### SPECIFICATIONS

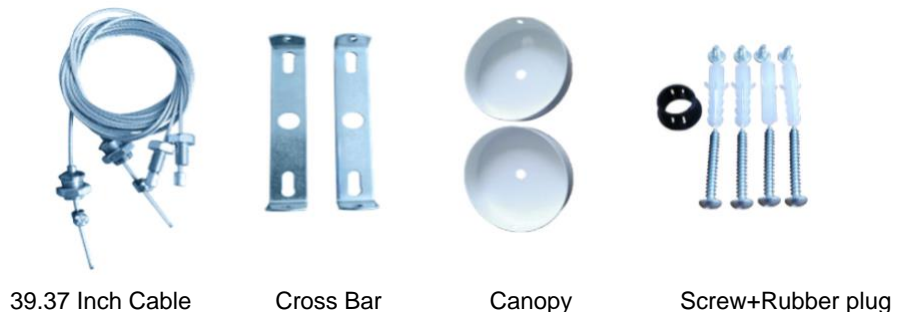
- 80+ CRI.
- Input: 100-277V, 50/60Hz. 1-10V dimming
- Working Temperature: 22°F ~ 113°F
- UL listed, suitable for damp location.
- White finish as standard, 6,500 custom colors are available.
- Light Angle 360°
- Cable: 5core, 18AWG (59.06 in)
- Built in color temperature selectable. Choose from 3500K/4000K/5000K. Wattage selectable choose from 2FT: 15W/20W/25W default setting 25W 4000K, 4FT: 40W/45W/50W default setting 50W 4000K, 8FT: 65W/75W/90W default Setting 90W 4000K.



#### CONTROL MODULE:



#### PARTS PACKED WITH STANDARD FIXTURE



**MODEL INFORMATION:**





**Example: SB-OL2FT-152025W27-3545K-W**

Products series	Size	Wattage	Voltage	Kelvin	Finish	Control
*SB-OL	*2FT=2-foot	*152025W= 15W/20W/25W	*27=120-277V	*3545K=3500K/4000K/5000K	*W=White(standard)	M=Motion Sensor
	4FT=4-foot	404550W= 40W/45W/50W				E=Emergency
	8FT=8-foot	657590W= 65W/75W/90W				EM=Emergency+ Motion Sensor

**LUMEN OUTPUT**

Model Number	Size	Wattage Selectable	Lumen	Wattage Default setting	Kevin Selectable
SB-OL	2' 25.98"	15W/20W/25W	1950lm/2600lm/3250lm	25W	3500K/4000K/5000K Default setting 4000K
	4' 47.64"	40W/45W/50W	5200lm/5850lm/6500lm	50W	
	8' 95.20"	65W/75W/90W	8450lm/9750lm/11700lm	90W	

**EMERGENCY BATTERY OPTIONS / ACCESSORIES**

PICTURE	MODEL NUMBER	DESCRIPTION
 (Available only for 4FT and 8FT models)	SB-EMS8W27-XX	Factory installed internal Emergency Battery Pack 8W 90 minutes for 4' and 8' only
	SB-EMS15W27-XX	Factory installed internal Emergency Battery Pack 15W 90 minutes for 4' and 8' only
	SB-EMS20W27-XX	Factory installed internal Emergency Battery Pack 20W 90 minutes for 4' and 8' only
	BRI810-B-D	Microwave Motion Sensor
	RC-100	Microwave Sensor Remote Controller
	SB-OL-CANOPY-M	Canopy for install Motion Sensor

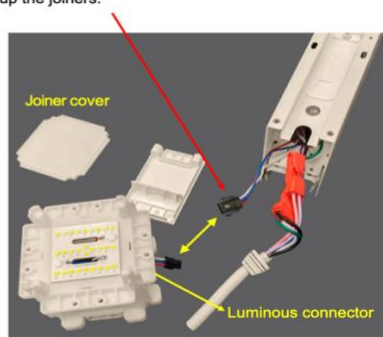
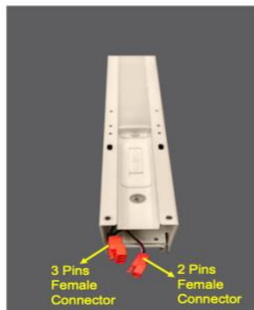
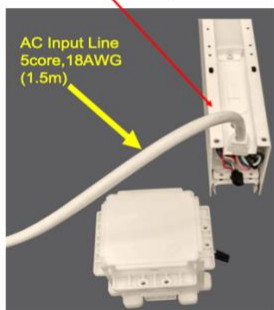
	<p>SB-OL-SMK</p>	<p>SURFACE MOUNTING KIT</p>
	<p>SB-OL-WMK</p>	<p>WALL MOUNTING KIT</p>
	<p>SB-OL180-2T</p>	<p>"I" connecting with Straight shape connector</p>
	<p>SB-OL90-2T</p>	<p>"L" connecting with 'L' shape connector</p>
	<p>SB-OL90-3T</p>	<p>"T" connecting with 'T' shape connector</p>
	<p>SB-OL90-4T</p>	<p>"+" connecting with 'T' shape connector</p>

**CONNECTING AND WIRING:**

Power cord with rubber cable sheath, fixed to the pre-punched hole on one side of the fixture body

Both ends of the fixture has 2 connectors for wiring connection.

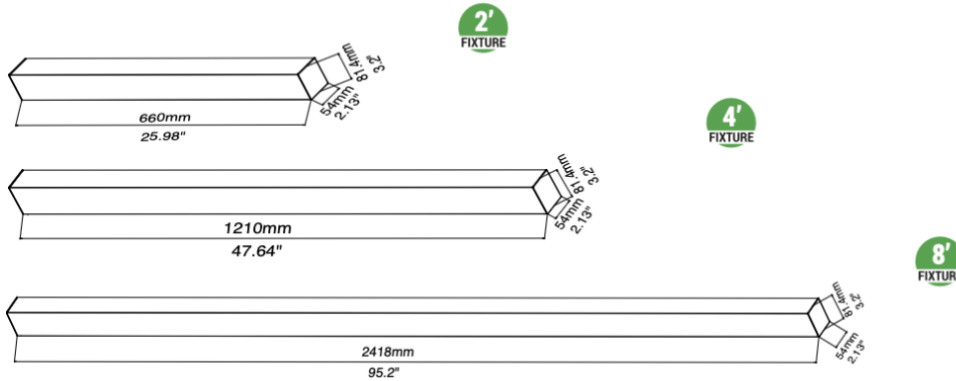
Female 3 pin JST SM Connector to light up the joiners.



## DIMENSIONS & WEIGHTS:

### DIMENSION

Unit:mm/inch

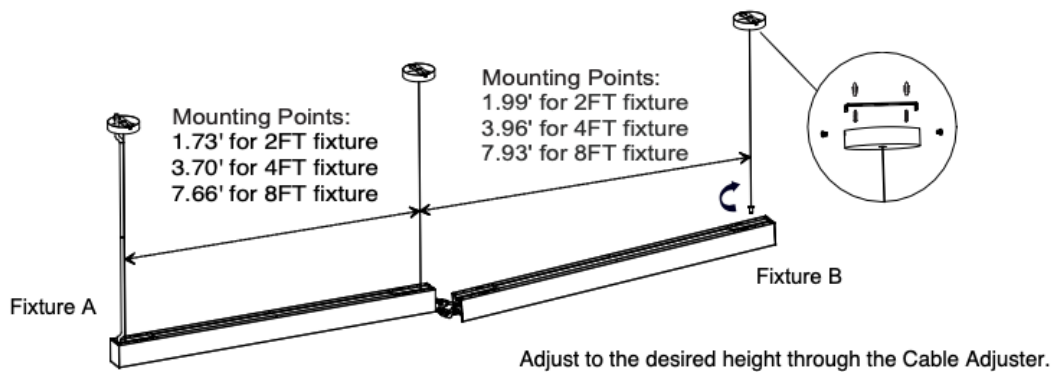


<b>WATTAGE</b>	15W/20W/25W
<b>GR. WEIGHT</b>	2.65 lbs (6 pcs/carton)
<b>OUTER BOX</b>	30.04"X10.28"X7.87"

<b>WATTAGE</b>	40W/45W/50W
<b>GR. WEIGHT</b>	4.41 lbs (6 pcs/carton)
<b>OUTER BOX</b>	53.78"X9.84"X7.87"

<b>WATTAGE</b>	65W/75W/90W
<b>GR. WEIGHT</b>	4.41 lbs (4 pcs/carton)
	101.65"X10.08"X5.24"

## INSTALLATION METHOD:



### Diffuser Length Table(for seamless continuous run)

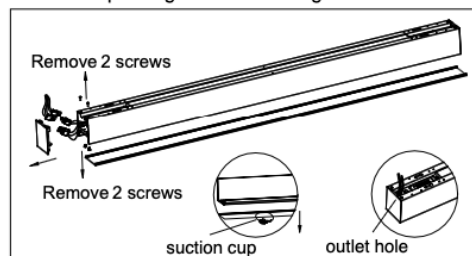
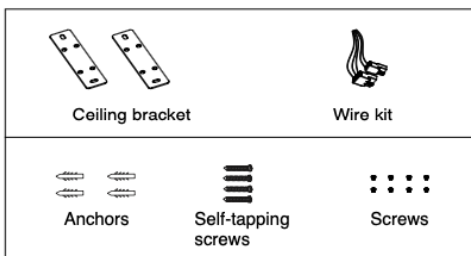
Fixture length	2 fixtures connection	3 fixtures connection	4 fixtures connection	5 fixtures connection	6 fixtures connection	7 fixtures connection	8 fixtures connection	9 fixtures connection	10 fixtures connection
2 FT	3' 11.8"	5' 11.73"	7' 11.67"	9' 11.61"	11' 11.54"	13' 11.48"	15' 11.42"	17' 11.35"	19' 11.29"
3 FT	7' 11.04"	11' 10.6"	15' 10.16"	19' 9.72"	23' 9.28"	27' 8.83"	31' 8.39"	35' 7.95"	39' 7.51"
4 FT	15' 10.16"	23' 9.28"	31' 8.39"	39' 7.51"	/	/	/	/	/

### Surface mounting in the ceiling

#### Before installation

1. Take out the fixture and accessories from packaging and inspect for any damages. Handle new LED fixture with care.

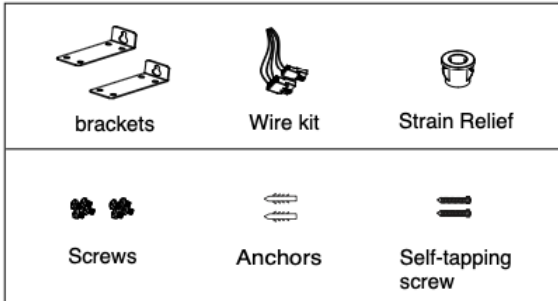
2. Remove the end-cover nearby the outlet hole and connect Wire kit to the fixture, then reattach the end-cover after passing the wires through the outlet hole.



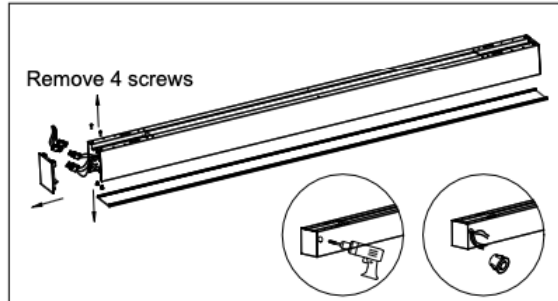
### Wall mounting

#### Before installation

1. Take out the fixture and accessories package from the box.

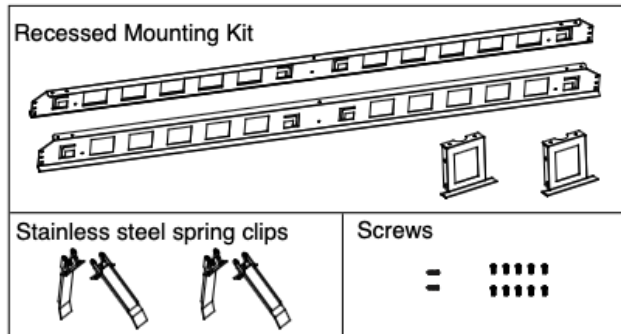


2. Remove the end-cap and connect the Wire kit to the fixture. Drill a 0.39" diameter hole on side of the fixture, fix the Strain Relief to the hole and pass the wires through the hole.

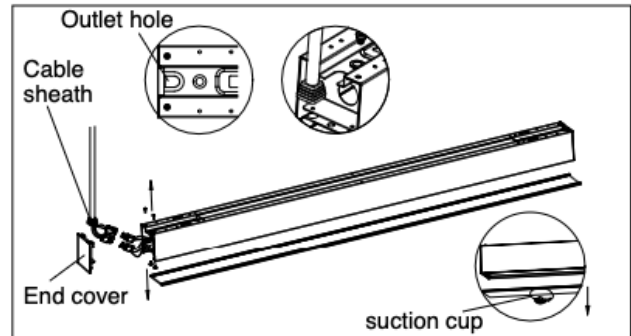


### Recessed mounting

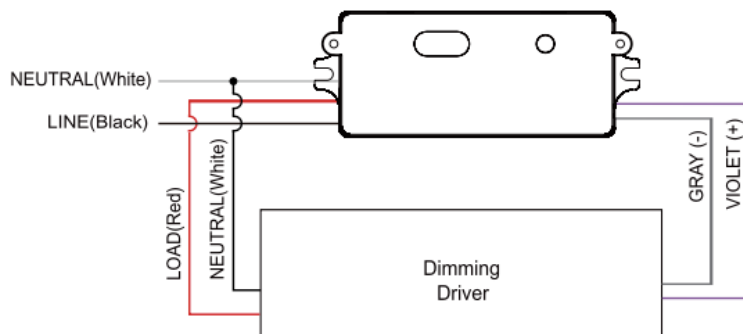
1. Take out accessories from packaging.



2. Attach Power cord to the fixture.

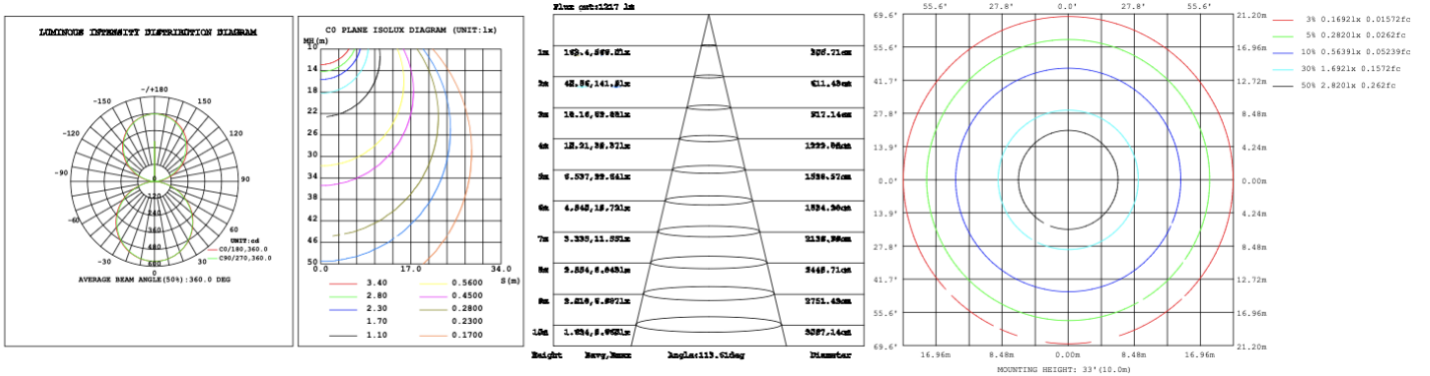


### GENERAL WIRING DIAGRAM:

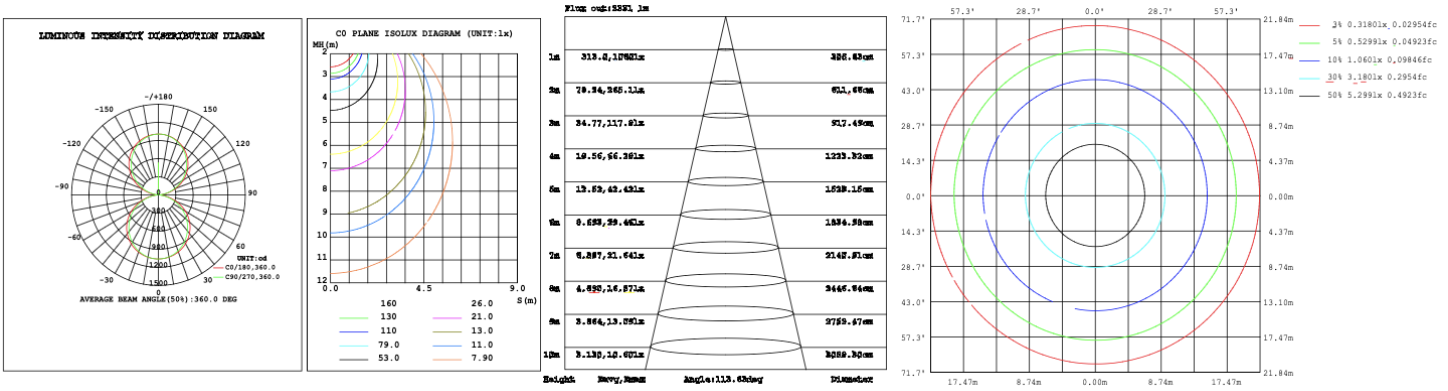


**PHOTOMETRICS:**

**2FT 25W 4000K**



**4FT 50W 4000K**



**8FT 90W 4000K**

