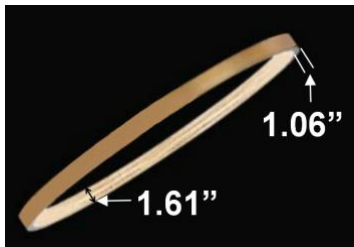
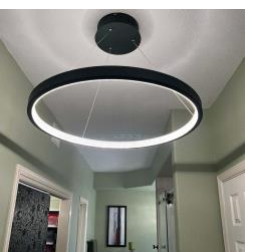




Light outside



Light inside



[View Black Diamond 1 tier on website](#) [View Video](#) [View application photos](#)

## Black Diamond 1 Tier

### PRODUCT DESCRIPTION

The **Black Diamond** Circular pendant is made of extruded aluminum with backlit individual acrylic crystals mounted to the outside or inside of the rings. Sizes range from 31.50" to 70.87" and can be combined as desired to create multiple ring masterpieces. Tunable white and RGBW. Over 6500 powder coated colors, ships assembled.

### FEATURES

- 5-year limited warranty.
- Ships assembled.
- Illumination inside or outside the profile.
- Extruded aluminum housing up to 70.87", 1 continuous ring without joints.
- Fixture lumens per watt ratio up to 75 LPW for illumination outside, 71 LPW for illumination inside. not including RGBW.
- 10' standard adjustable aircraft cables/power cord adjust by push button grippers, custom length available.

### SPECIFICATIONS

- 90+ CRI.
- Input: 100-277V, 50/60Hz.
- 1-10V dimming standard, ELV / TRIAC dimming available.
- UL listed, suitable for dry location. (BAA) Buy American Compliant.
- Gloss White, Black Jack, Platinum Silver and Oil bronze color finish as standard, 6,500 custom colors are available.
- Built in color temperature selectable. Choose from 2700K/3500K/4000K Or 3000K/3500K/4000K. Custom color temperatures. lumen outputs, RGBW, Tunable White available.

### PARTS PACKED WITH STANDARD FIXTURE

- Plastic Anchors, Screws, Wire Connectors
- CCT Selector Switch



**MODEL INFORMATION:**

**Example: SB-A01A40WSB**

Products Series	Wattage/Size	"E" Kelvin temp options ("S" standard)	"W" Controls ( don't select this column if selected S or A)	"Z" Profile Finishes	"X" Aircraft Cable
*SB-A01A SB-A01B SB-A01C SB-A01D	*40W= 31.50"	*S=3000K/3500K/4000K Color Select by internal CCT Color Selector, 4000K factory color default set, CRI 90	*Blank=1-10V dimming (standard)	* B=Black Jack	*Blank=10' foot 120" (standard)
	50W= 39.37"			S=Platinum Silver	5'=5 foot 60"
		60W= 47.24"	A=2700K/3500K/4000K Color Select by internal CCT color Selector, 4000K factory color default set. CRI 90	D=DMX (for RGBW and Tunable White, control by Wall Switch or DMX control system)	W=Gloss White
	O=Oil Rubbed Bronze				20'=20 foot 240"
	70W= 59.06"	T=3K-4K Tunable White control by remote/wall control	C=Dali	Full Color Name or RAL number for Custom Colors, select from <a href="#">Color Collections</a>	25'=25 foot 300"
	80W= 70.87"	R3= RGB+3000K	Z=ZigBee (for RGBW and CCT tunable / dimmable using remote, App and Google Alexa voice.		30'=30 foot 360"
<b>Request price for other Kelvin temp</b>		R4=RGB+4000K (standard)	<a href="#">See control options</a>		

**LUMEN OUTPUT**

Model Number	Size	Wattage	Kelvin Temp field Selectable ± 500K	Delivered Lumen ±10%
SB-A01A/C	31.50"	40W	2700K/3500K/4000K or 3000K/3500K/4000K	2875 lm
	39.37"	50W	2700K/3500K/4000K or 3000K/3500K/4000K	3465 lm
	47.24"	150W	2700K/3500K/4000K or 3000K/3500K/4000K	4054 lm
	59.06"	90W	2700K/3500K/4000K or 3000K/3500K/4000K	4677 lm
	70.87"	110W	2700K/3500K/4000K or 3000K/3500K/4000K	5860 lm
SB-A01B/D	31.50"	40W	2700K/3500K/4000K or 3000K/3500K/4000K	2731 lm
	39.37"	50W	2700K/3500K/4000K or 3000K/3500K/4000K	3072 lm
	47.24"	60W	2700K/3500K/4000K or 3000K/3500K/4000K	3967 lm
	59.06"	70W	2700K/3500K/4000K or 3000K/3500K/4000K	4172 lm
	70.87"	80W	2700K/3500K/4000K or 3000K/3500K/4000K	5000 lm

## STANDARD COLOR FINISHES



GLOSS WHITE



PLATINUM SILVER



BLACK JACK




OIL RUBBED BRONZE

In addition to our standard colors, we offer more than 6,500 [finishes and colors](#) for your luminaire. We can match your paint sample or any RAL finish. Add texture and originality to create a perfect match.

## EMERGENCY BATTERY OPTIONS

[SEE SPEC](#)

PICTURE	MODEL NUMBER	DESCRIPTION
	SB-EBP/5W/B	Factory installed Remote Emergency Battery Pack 5W 90 minutes
	SB-EBP/10.7W/B	Factory installed Remote Emergency Battery Pack 10.7W 90 minutes
	SB-EBP/17W/B	Factory installed Remote Emergency Battery Pack 17W 90 minutes

## RGBW/TUNABLE WHITE SMART CONTROL

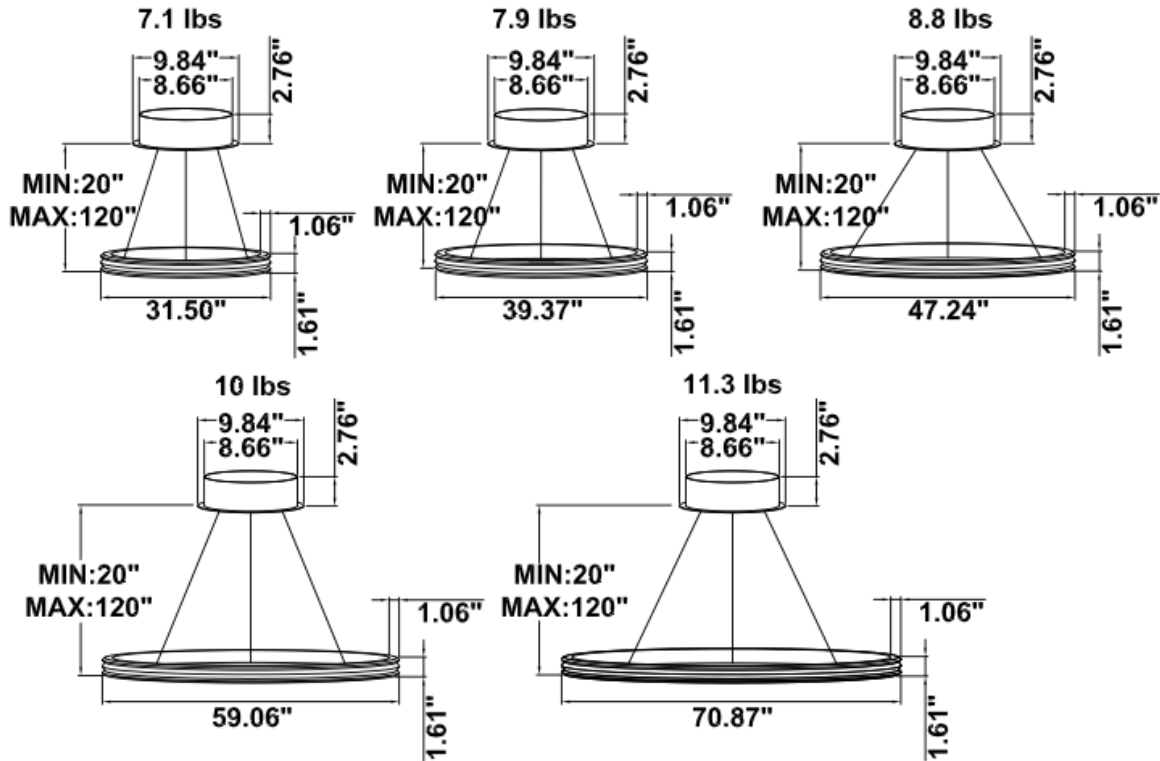
[SEE SPEC AND VIDEO](#)

### Get Smart

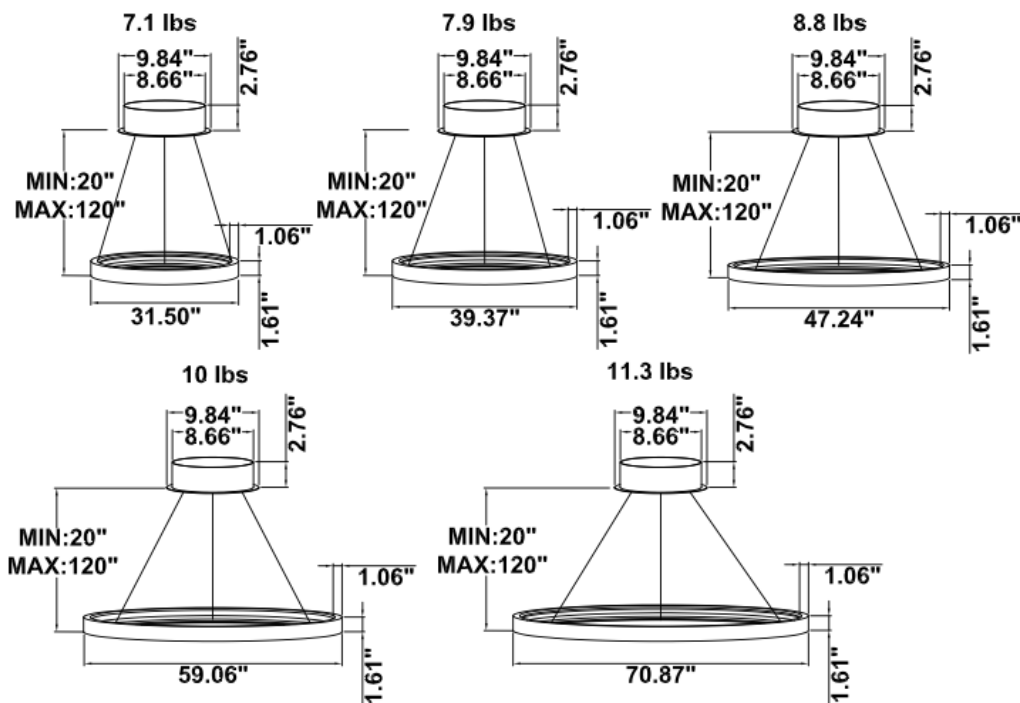
Using Amazon Echo, Echo Dot, or any Alexa-enabled device allows you to turn your luminaire on and off, dim the light and change light color to Red, Green, Blue or White independently by using voice command or Smart phone app, DMX, Handheld remote or wall control.

**DIMENSIONS & WEIGHTS:** Canopy Size for ZigBee & DMX: 15.75" x 2.76"

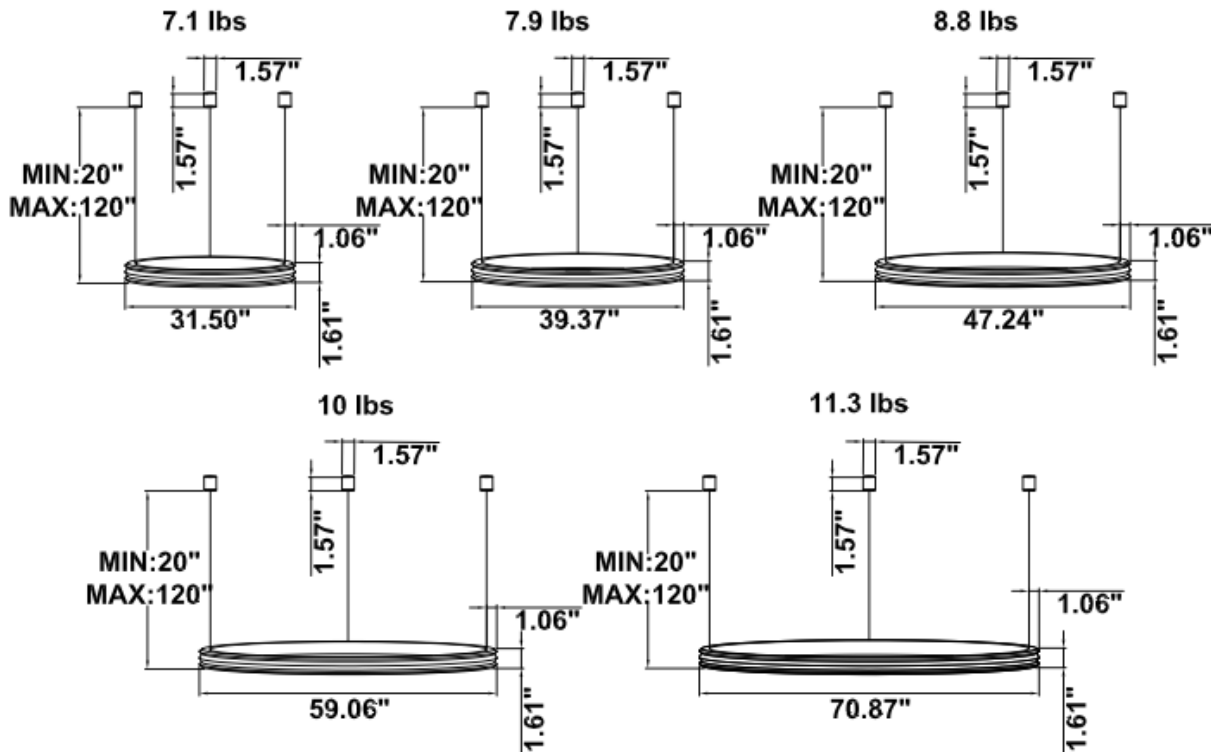
**SB-A01A Light inside**



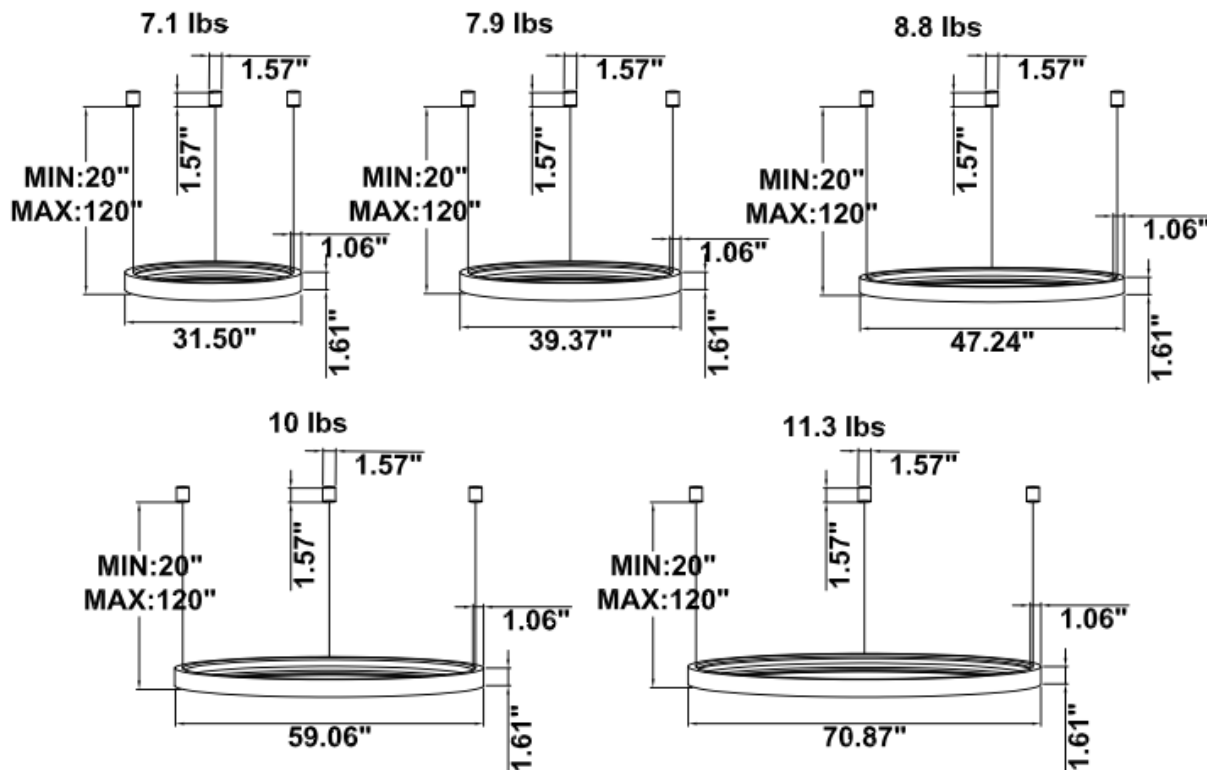
**SB-A01B Light outside**



**SB-A01C Light inside**

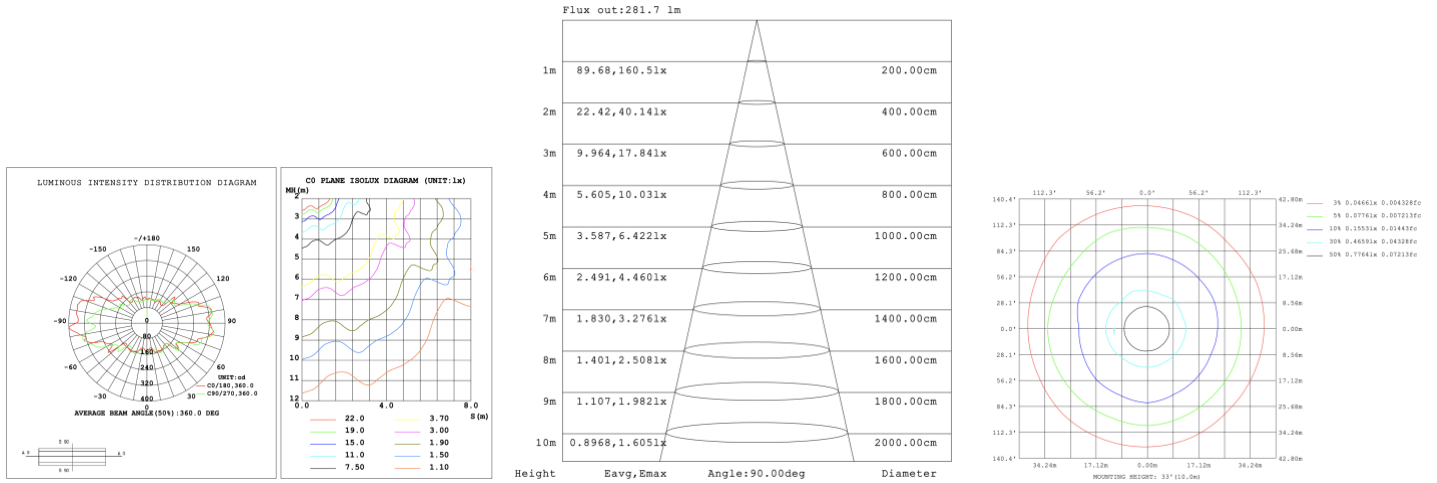


**SB-A01D Light outside**

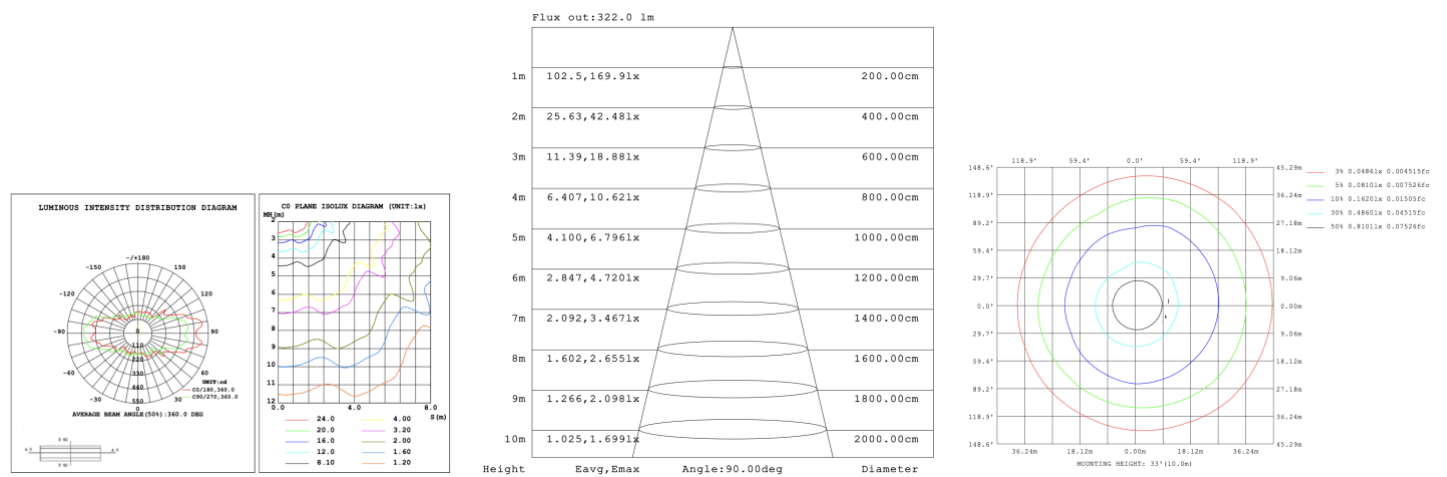


**PHOTOMETRIC: Illumination outside the profile**

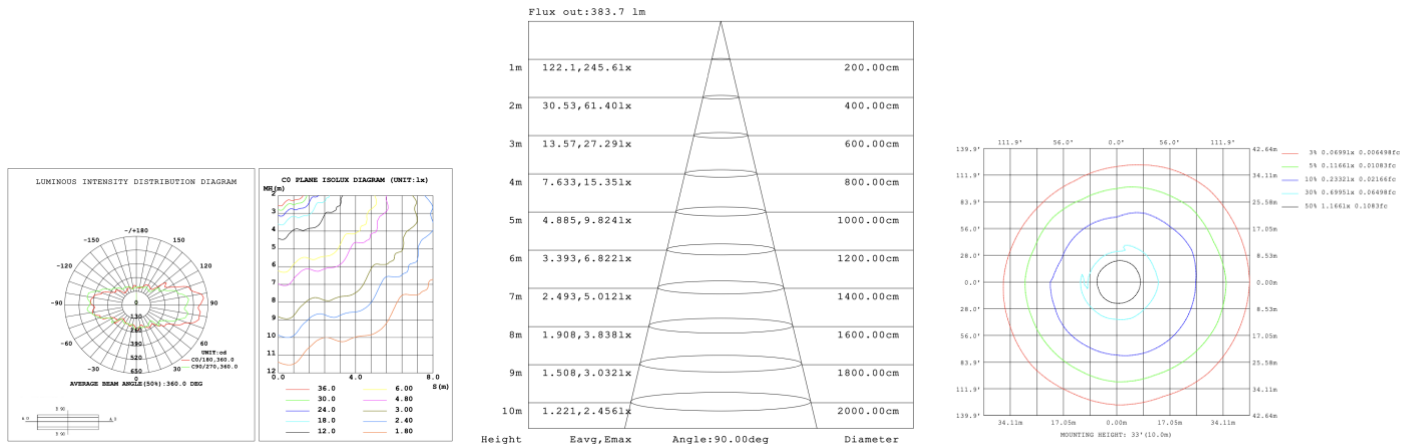
**SB-A01A40WZ 31.50" 40W @ 4000K**



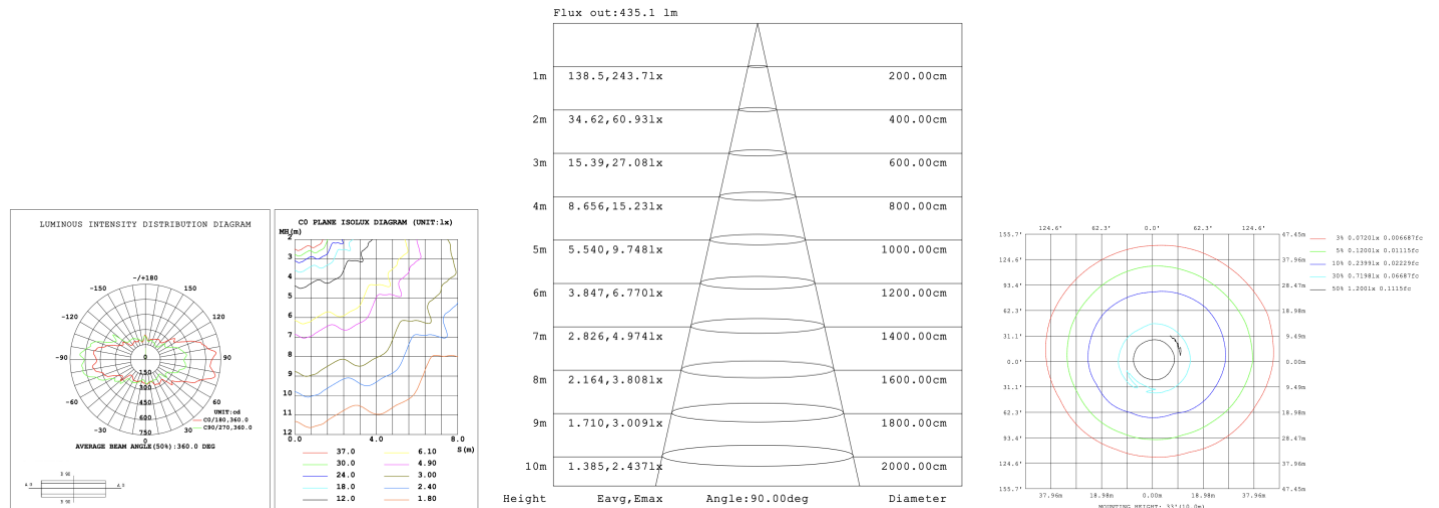
**SB-A01A50WZ 39.37" 50W @ 4000K**



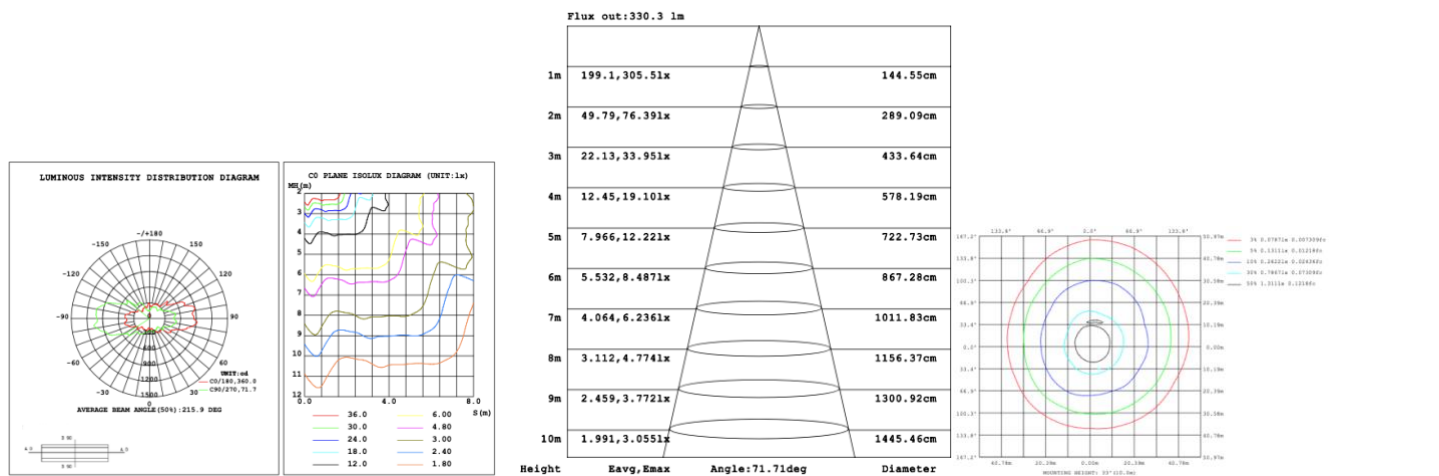
**SB-A01A60WZ 47.24" 60W @ 4000K**



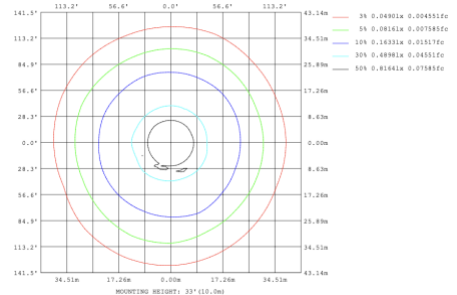
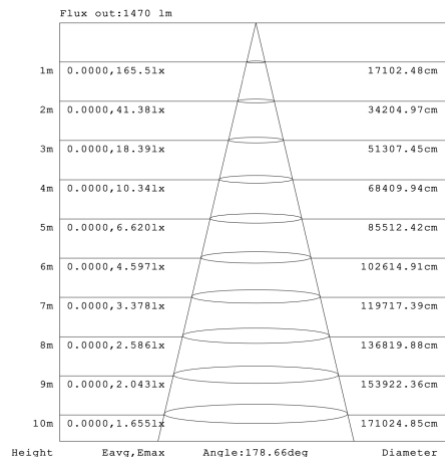
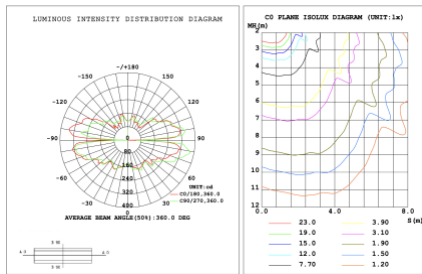
**SB-A01A70WZ 59.06" 70W @ 4000K**



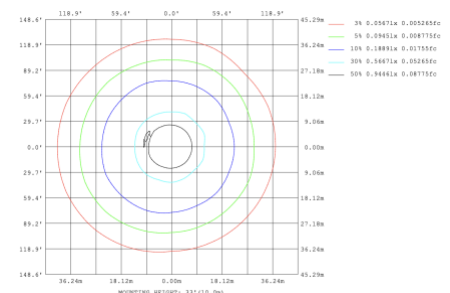
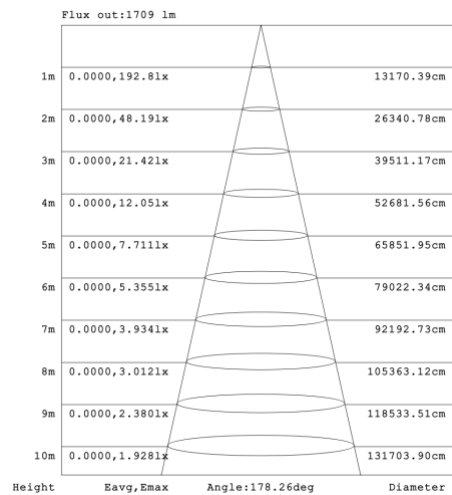
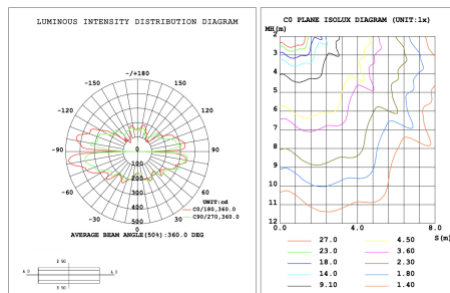
**SB-A01A80WZ 70.87" 80W @ 4000K**



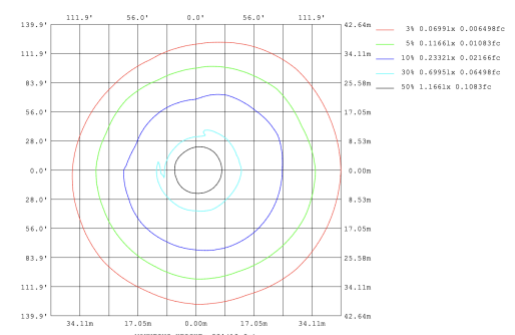
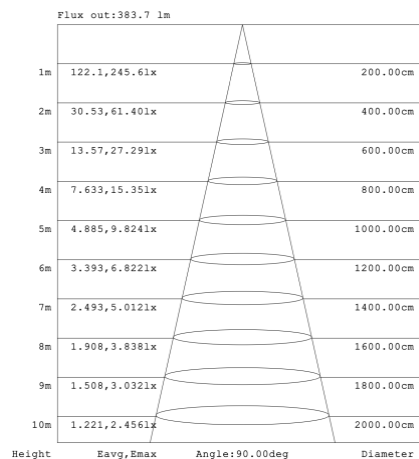
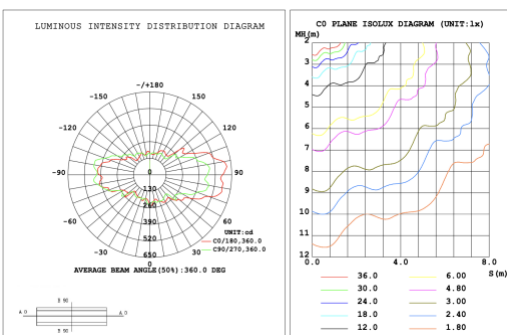
**Illumination inside the profile**  
**SB-A01B40WZ 31.50" 40W @ 4000K**



**SB-A01B50WZ 39.37" 50W @ 4000K**

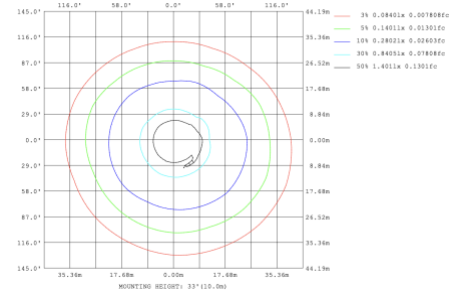
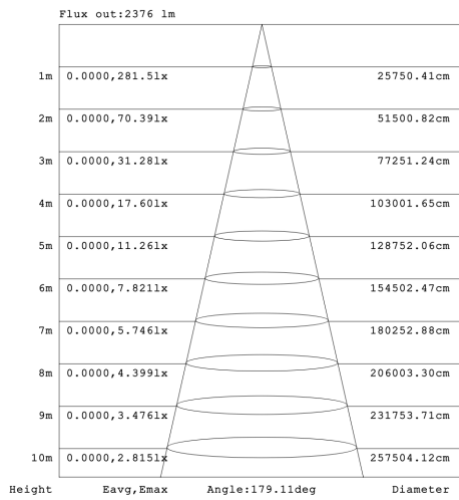
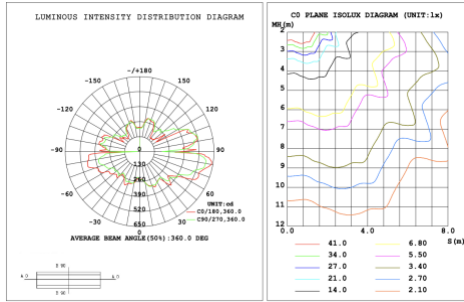


**SB-A01B60WZ 47.24" 60W @ 4000K**



**SB-A01B70WZ 59.06" 70W @ 4000K**





**SB-A01B80WZ 70.87" 80W @ 4000K**

