

[View Black Diamond 3 tier on website](#)

[View Video](#)

[View application photos](#)

Black Diamond 3 Tier

PRODUCT DESCRIPTION

The **Black Diamond** Circular pendant is made of extruded aluminum with backlit individual acrylic crystals mounted to the outside or inside of the rings. Sizes range from 31.50" to 70.87" and can be combined as desired to create multiple ring masterpieces. Tunable white and RGBW. Over 6500 powder coated colors, ships assembled.

FEATURES

- 5-year limited warranty.
- Ships assembled.
- Illumination inside or outside the profile.
- Extruded aluminum housing up to 70.87", 1 continuous ring without joints.
- Fixture lumens per watt ratio up to 75 LPW for illumination outside, 71 LPW for illumination inside. not including RGBW.
- 10' standard adjustable aircraft cables/power cord adjust by push button grippers, custom length available.

SPECIFICATIONS

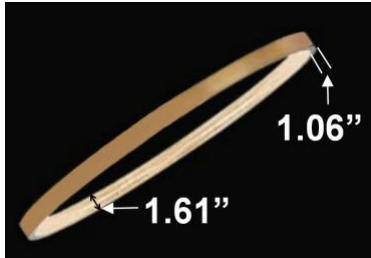
- 90+ CRI.
- Input: 100-277V, 50/60Hz.
- 1-10V dimming standard, ELV / TRIAC dimming available.
- UL listed, suitable for dry location. (BAA) Buy American Compliant.
- Gloss White, Black Jack, Platinum Silver and Oil bronze color finish as standard, 6,500 custom colors are available.
- Built in color temperature selectable. Choose from 2700K/3500K/4000K Or 3000K/3500K/4000K. Custom color temperatures. lumen outputs, RGBW, Tunable White available.

PARTS PACKED WITH STANDARD FIXTURE

- Plastic Anchors, Screws, Wire Connectors
- CCT Selector Switch



Light outside



Light inside



SB-A03A



SB-A03B



SB-A03C



SB-A03D



SB-A03R

MODEL INFORMATION:

Example: SB-A03A150WSB

Products Series	Wattage/Size	"E" Kelvin temp options ("S" standard)	"W" Controls (don't select this column if selected S or A)	"Z" Profile Finishes	"X" Aircraft Cable
*SB-A03A SB-A03C SB-A03D SB-A03R	*150W = 47.24"+39.37"+31.50"	*S=3000K/3500K/4000K Color Select by internal CCT Color Selector, 4000K factory color default set, CRI 90	*Blank=1-10V dimming (standard) C=Dali	*B=Black Jack S=Platinum Silver	*Blank=10' foot 120" (standard) 5'=5 foot 60"
	180W = 59.06"+47.24"+39.37"	A=2700K/3500K/4000K Color Select by internal CCT color Selector, 4000K factory color default set. CRI 90	D=DMX (for RGBW and Tunable White, control by Wall Switch or DMX control system)	W=Gloss White	15'=15 foot 180"
				O=Oil Rubbed Bronze	20'=20 foot 240"
	200W = 70.87"+59.06"+47.24"	T=3K-4K Tunable White control by remote/wall control	L=ELV / Triac dimming Z=ZigBee (for RGBW and CCT tunable / dimmable using remote, App and Google Alexa voice.		25'=25 foot 300"
				30'=30 feet 360"	
SB-A03B	120W = 31.50" + 39.37" + 31.50"	R3= RGB+3000K			
	160W = 39.37" + 47.24" + 39.37"	R4=RGB+4000K (standard)			
	190W = 39.37" + 59.06" + 39.37"				
	220W = 59.06" + 70.87" + 59.06"				
Request price for other Kelvin temp and configurations			See control options	Full Color Name or RAL number for Custom Colors, select from Color Collections	

STANDARD COLOR FINISHES




In addition to our standard colors, we offer more than 6,500 [finishes and colors](#) for your luminaire. We can match your paint sample or any RAL finish. Add texture and originality to create a perfect match.

LUMEN OUTPUT

Model Number	Size	Wattage	Kelvin Temp field Selectable \pm 500K	Delivered Lumen \pm 10%
SB-A03A	47.24"+39.37"+31.50"	150W	2700K/3500K/4000K or 3000K/3500K/4000K	10394
	59.06"+47.24"+39.37"	180W	2700K/3500K/4000K or 3000K/3500K/4000K	12196
	70.87"+59.06"+47.24"	200W	2700K/3500K/4000K or 3000K/3500K/4000K	14591
SB-A03B	31.50" + 39.37" + 31.50"	120W	2700K/3500K/4000K or 3000K/3500K/4000K	8927
	39.37" + 47.24" + 39.37"	160W	2700K/3500K/4000K or 3000K/3500K/4000K	6144
	39.37" + 59.06" + 39.37"	190W	2700K/3500K/4000K or 3000K/3500K/4000K	12611
	59.06" + 70.87" + 59.06"	220W	2700K/3500K/4000K or 3000K/3500K/4000K	14204
SB-A03C	47.24"+39.37"+31.50"	150W	2700K/3500K/4000K or 3000K/3500K/4000K	9660
	59.06"+47.24"+39.37"	180W	2700K/3500K/4000K or 3000K/3500K/4000K	12109
	70.87"+59.06"+47.24"	200W	2700K/3500K/4000K or 3000K/3500K/4000K	14086
SB-A03D	47.24"+39.37"+31.50"	150W	2700K/3500K/4000K or 3000K/3500K/4000K	9857
	59.06"+47.24"+39.37"	180W	2700K/3500K/4000K or 3000K/3500K/4000K	11716
	70.87"+59.06"+47.24"	200W	2700K/3500K/4000K or 3000K/3500K/4000K	13999
SB-A03R	47.24"+39.37"+31.50"	150W	2700K/3500K/4000K or 3000K/3500K/4000K	9770
	59.06"+47.24"+39.37"	180W	2700K/3500K/4000K or 3000K/3500K/4000K	11211
	70.87"+59.06"+47.24"	200W	2700K/3500K/4000K or 3000K/3500K/4000K	13139

EMERGENCY BATTERY OPTIONS

[SEE SPEC](#)

PICTURE	MODEL NUMBER	DESCRIPTION
	SB-EBP/5W/B	Factory installed Remote Emergency Battery Pack 5W 90 minutes
	SB-EBP/10.7W/B	Factory installed Remote Emergency Battery Pack 10.7W 90 minutes
	SB-EBP/17W/B	Factory installed Remote Emergency Battery Pack 17W 90 minutes

RGBW/TUNABLE WHITE SMART CONTROL

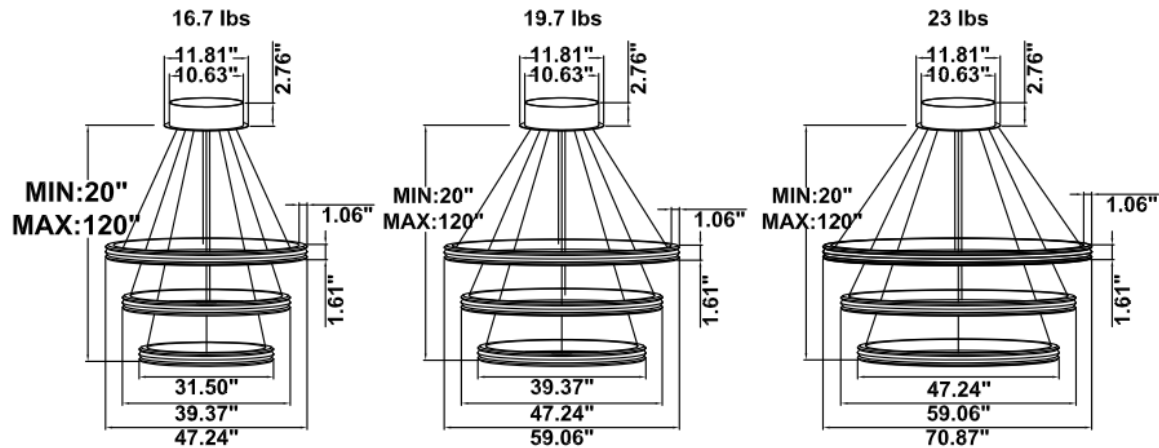
[SEE SPEC AND VIDEO](#)

Get Smart

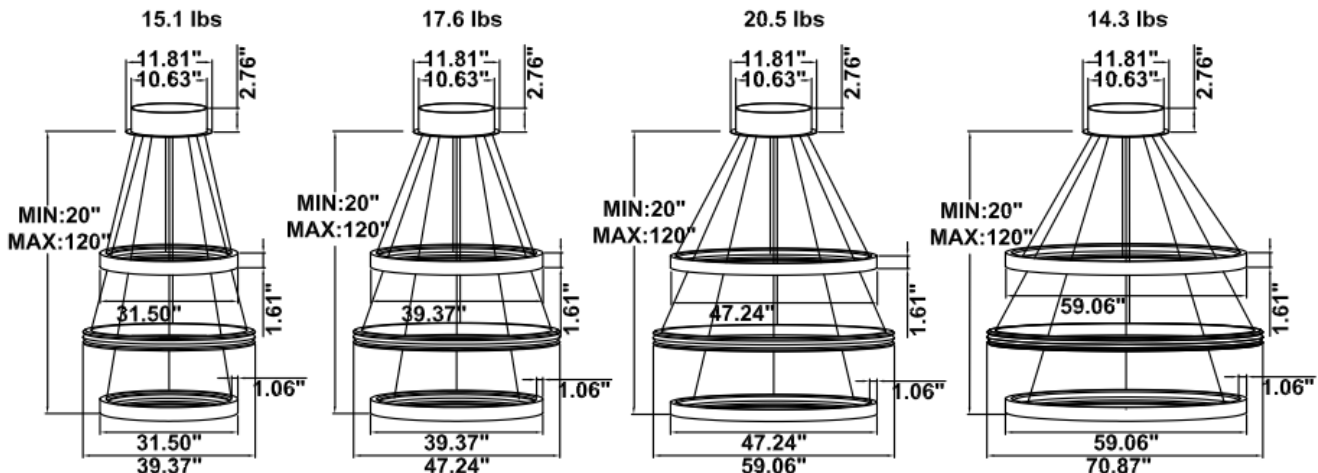
Using Amazon Echo, Echo Dot, or any Alexa-enabled device allows you to turn your luminaire on and off, dim the light and change light color to Red, Green, Blue or White independently by using voice command or Smart phone app, DMX, Handheld remote or wall control.

DIMENSIONS & WEIGHTS: Canopy Size for ZigBee & DMX: 15.75" x 2.76"

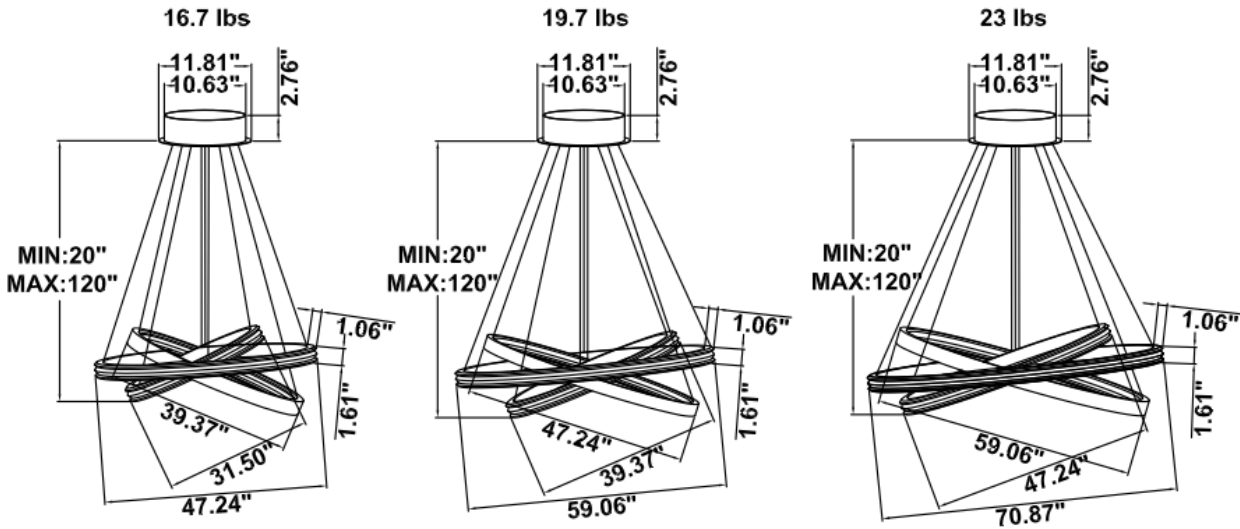
SB-A03A Light outside



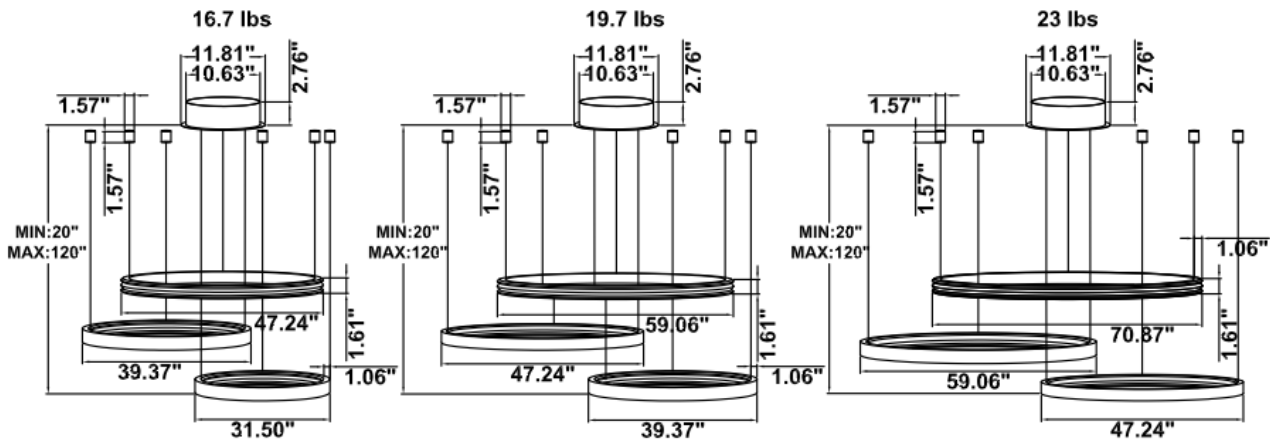
SB-A03B: Top and bottom ring light inside, middle ring light outside



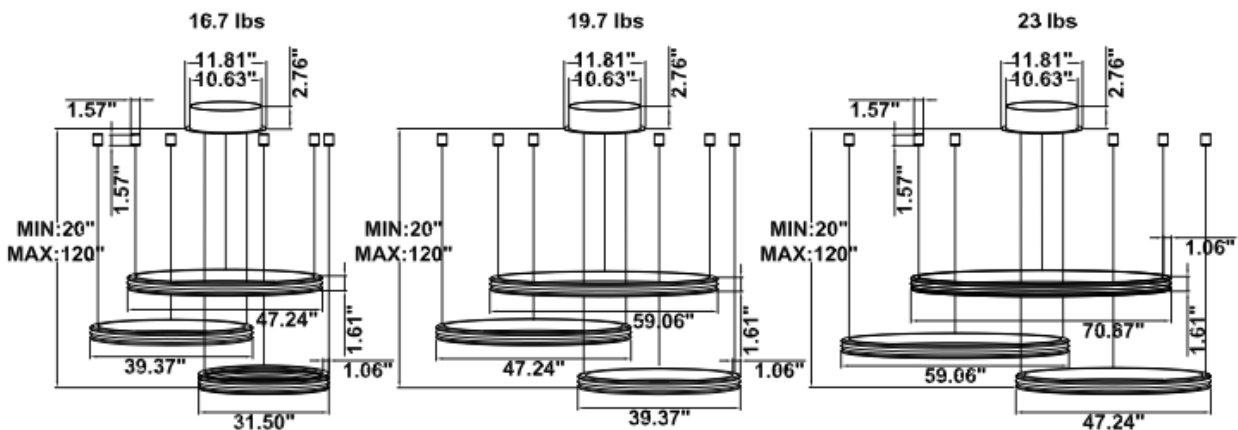
SB-A03C: Inner ring and outer ring light outside, middle ring light inside



SB-A03D: Top ring light outside, middle ring and bottom ring light inside



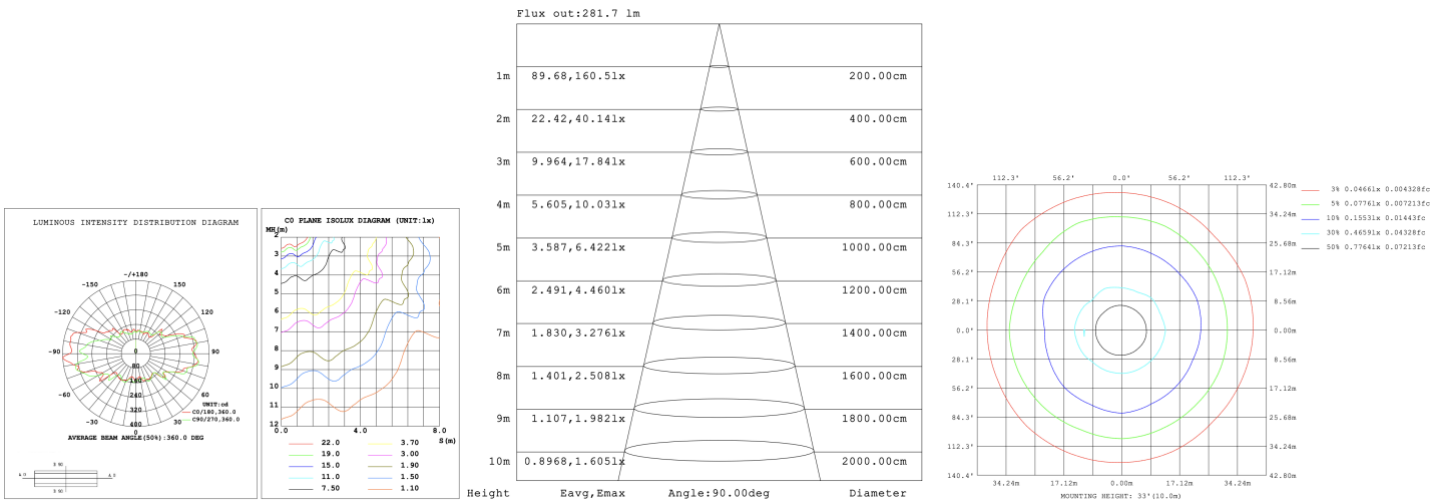
SB-A03R: Light inside



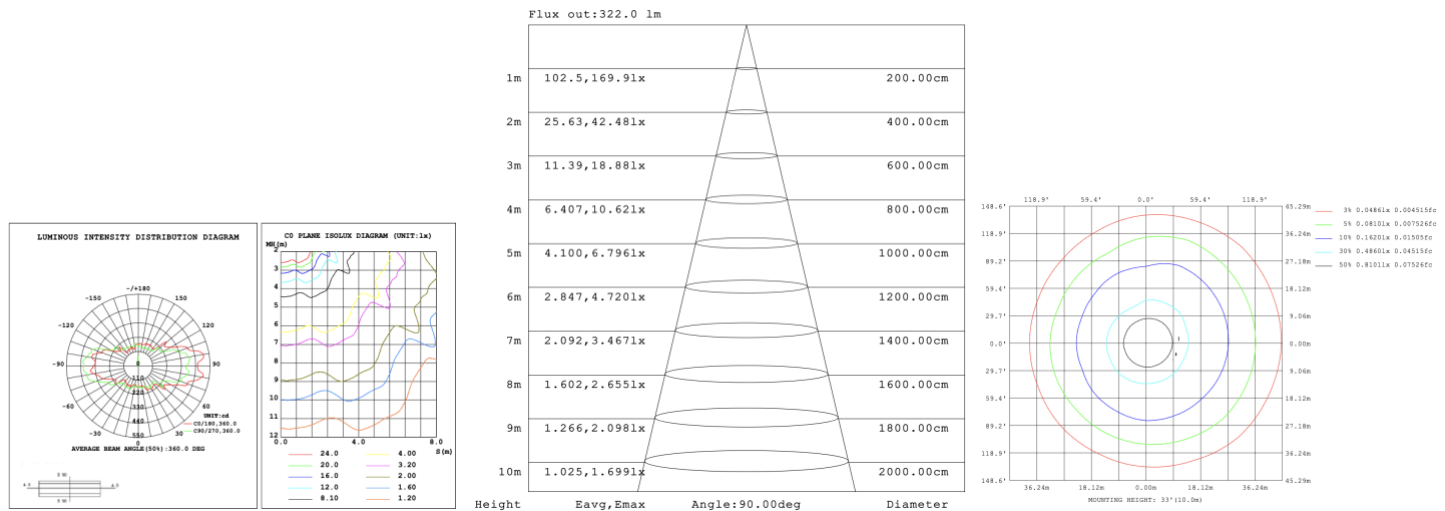
PHOTOMETRIC: Test report for 1 ring only

Illumination outside the profile

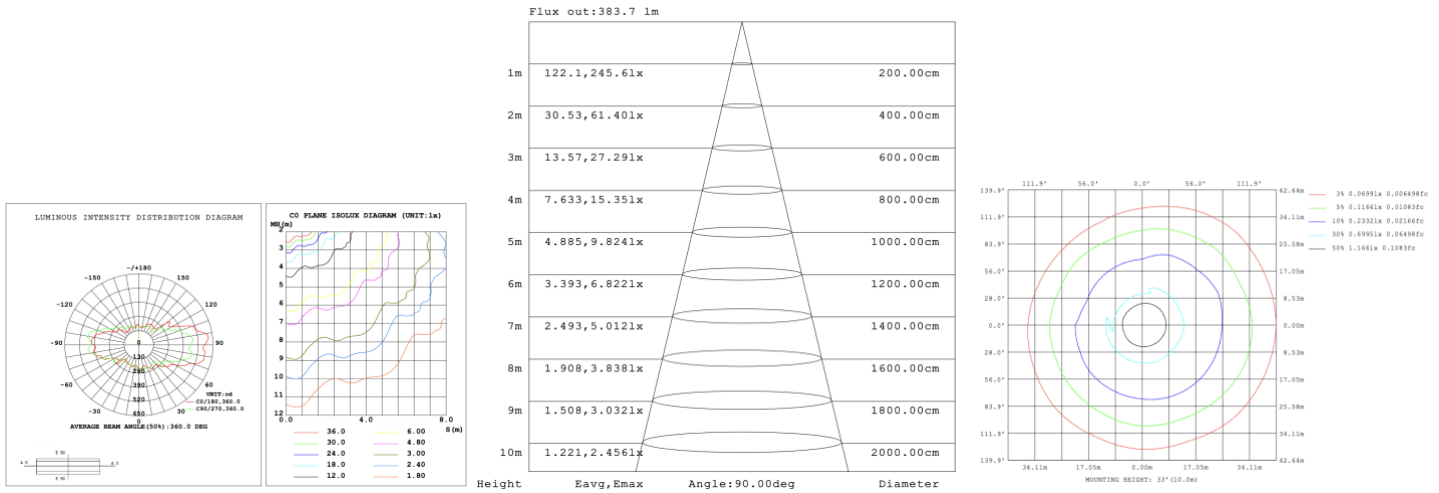
SB-A01A40WZ 31.50" 40W @ 4000K



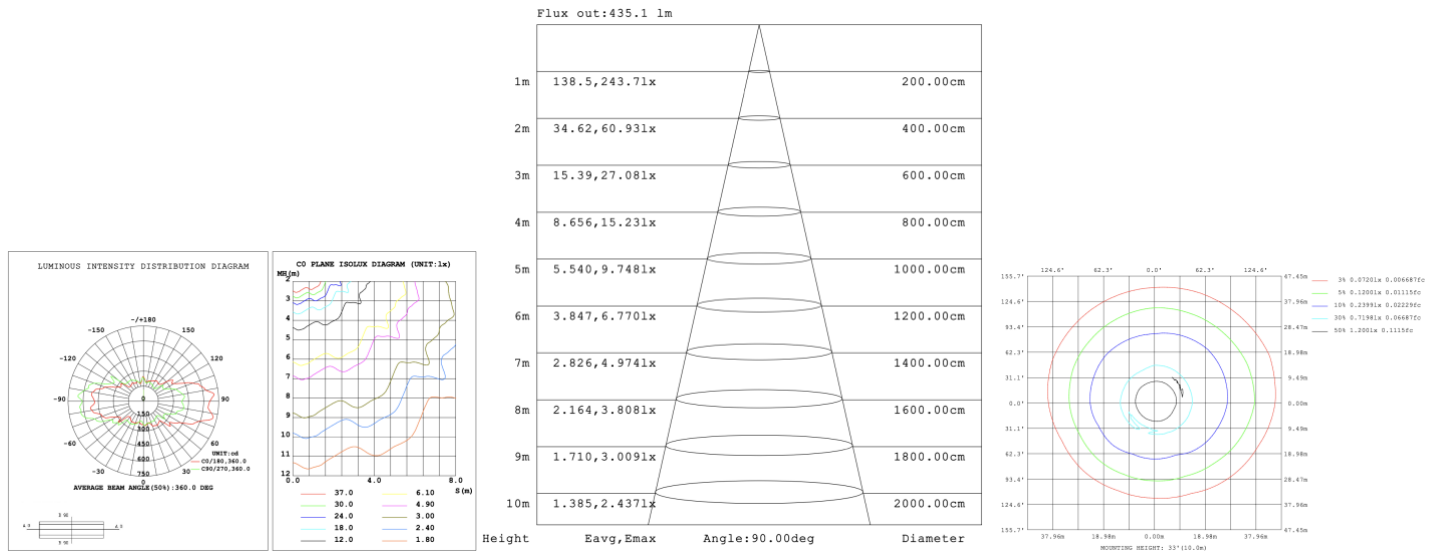
SB-A01A50WZ 39.37" 50W @ 4000K



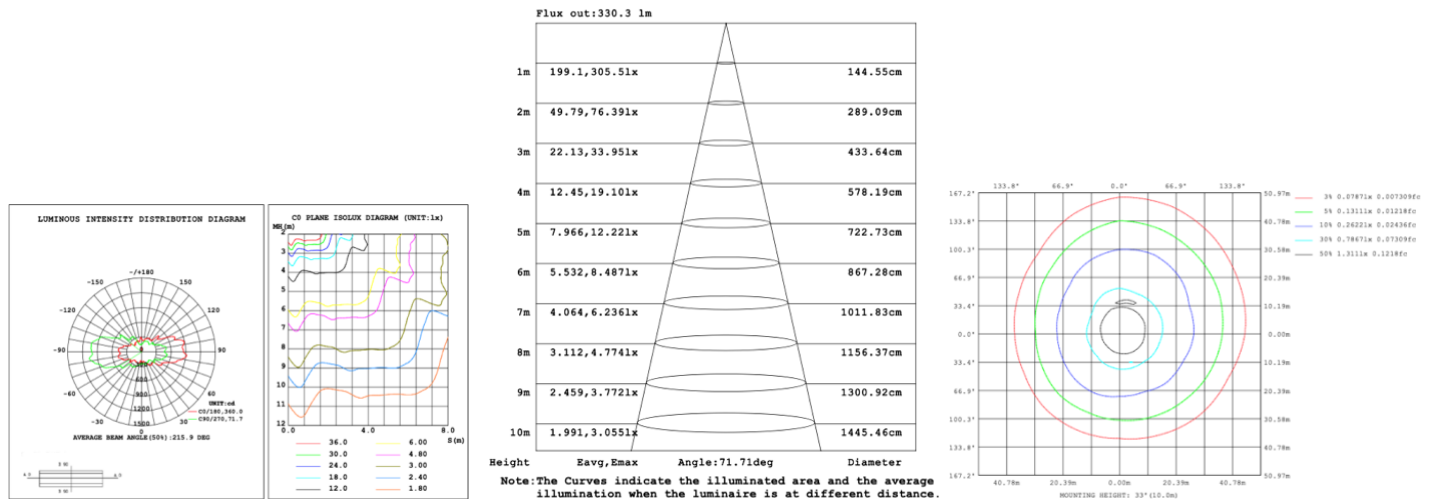
SB-A01A60WZ 47.24" 60W @ 4000K



SB-A01A70WZ 59.06" 70W @ 4000K

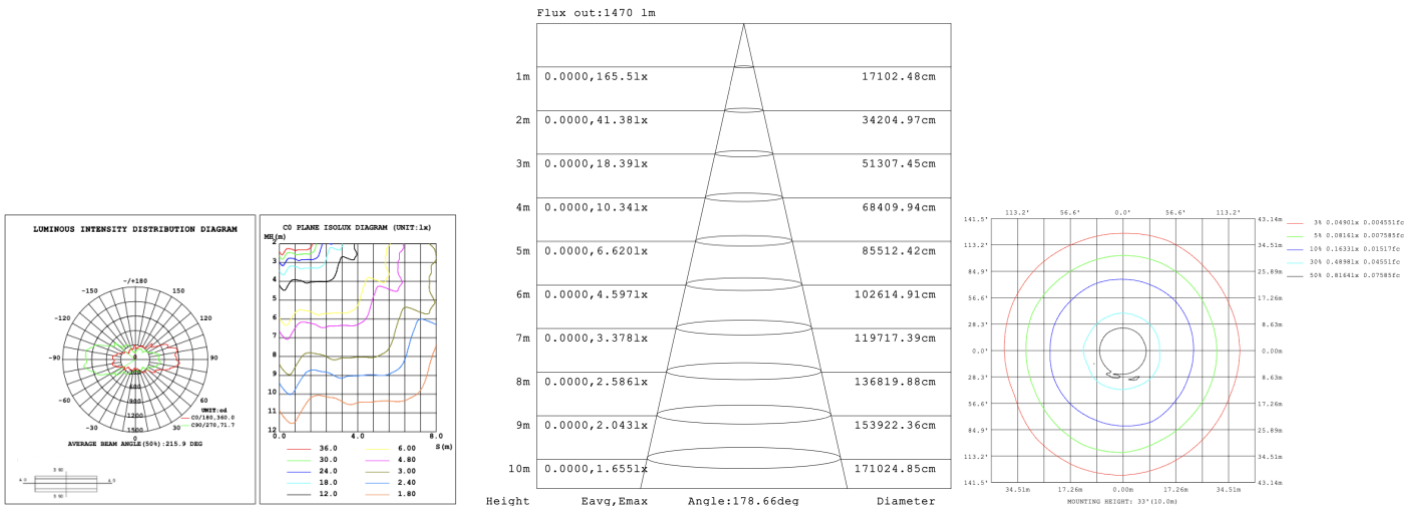


SB-A01A80WZ 70.87" 80W @ 4000K

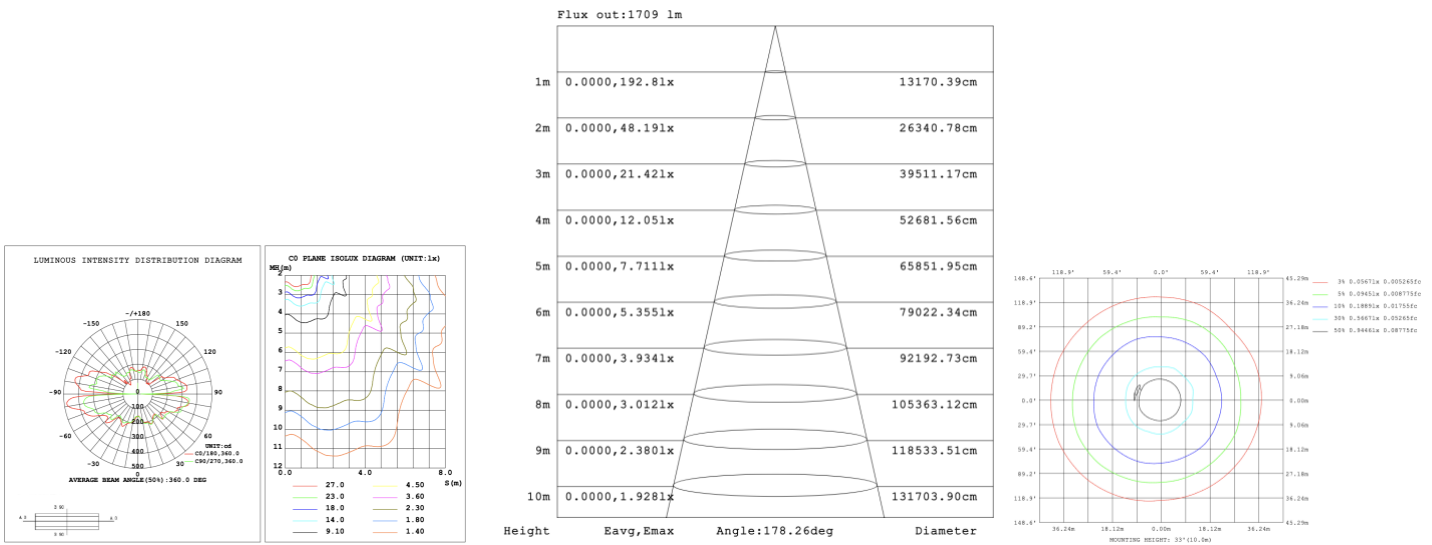


Illumination inside the profile

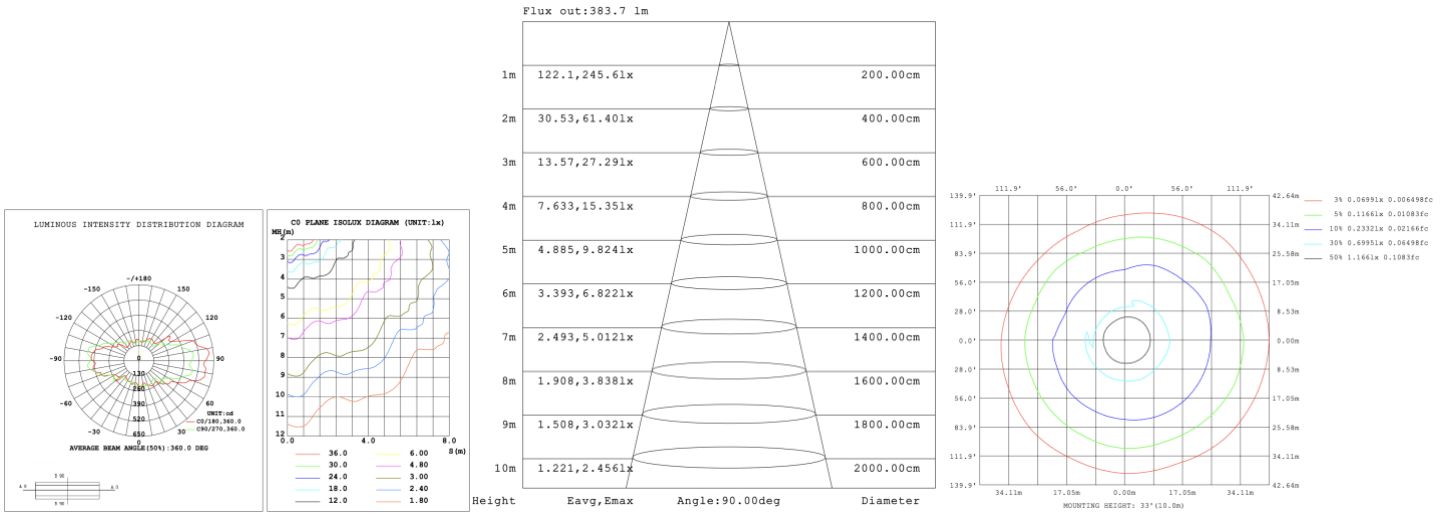
SB-A01B40WZ 31.50" 40W @ 4000K



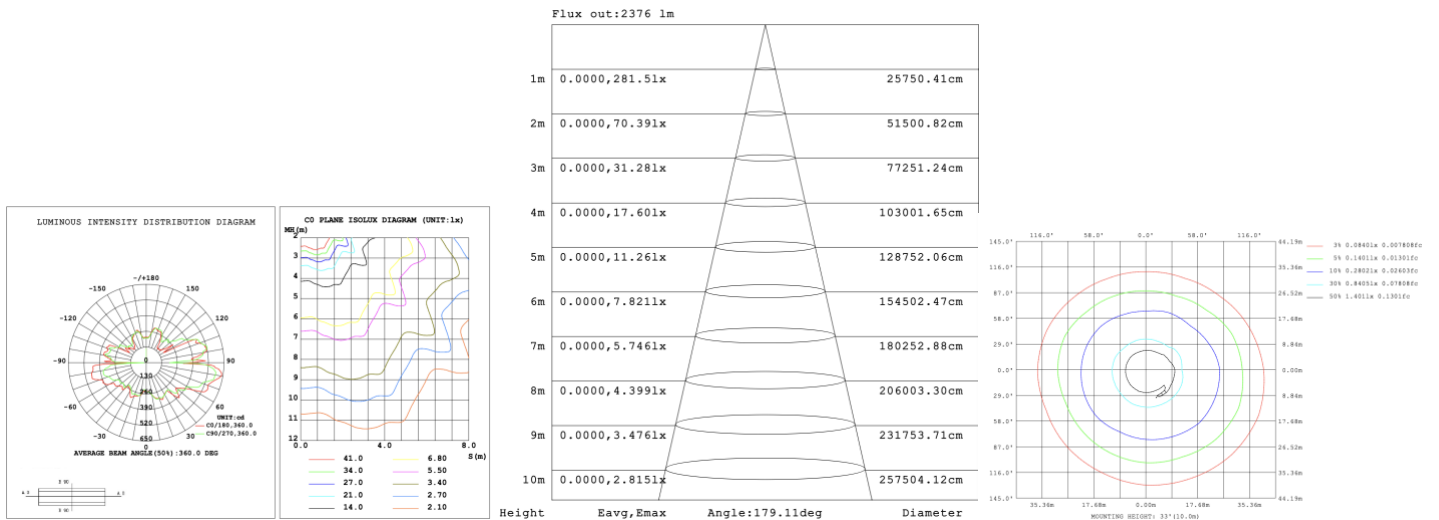
SB-A01B50WZ 39.37" 50W @ 4000K



SB-A01B60WZ 47.24" 60W @ 4000K



SB-A01B70WZ 59.06" 70W @ 4000K



SB-A01B80WZ 72" 80W @ 4000K

