



[View Bromont 2 tier on website](#)

[View Video](#)

[View application photos](#)

PRODUCT DESCRIPTION

The **Bromont** direct/indirect Kelvin temp selectable circular pendants are made of extruded with direct/indirect aluminum housing, glare-free flash lens and adjustable air craft cables. Sizes range from 15.57" to 70.87" and can be combined as desired to create multiple ring masterpieces. Tunable white and RGBW. Over 6500 powder coated colors, ships assembled.

FEATURES

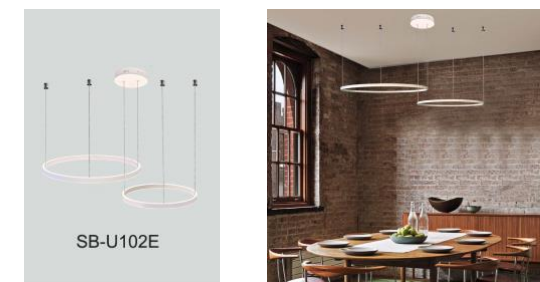
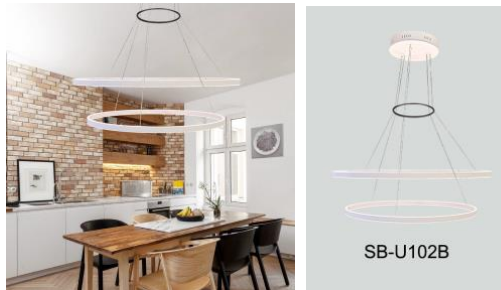
- 5-year limited warranty.
- Ships assembled.
- Illumination direct/indirect.
- Extruded aluminum housing up to 70.87", 1 continuous ring without joints.
- Lens: White frosted acrylic diffuser, Glare-free
- Fixture delivered lumens per watt ratio up to 82 LPW, 41 LPW direct, 41 LPW indirect, not including RGBW.
- 10' standard adjustable aircraft cables/power cord adjust by push button grippers, custom length available.

SPECIFICATIONS

- 90+ CRI.
- Input: 100-277V, 50/60Hz.
- 1-10V dimming standard, ELV / TRIAC dimming available.
- UL listed, suitable for dry location. (BAA) Buy American compliant.
- Built in color temperature selectable. Choose from 2700K/3500K/4000K ; Or 3000K/3500K/4000K. Custom color temperatures. lumen outputs, RGBW, Tunable White available.

PARTS PACKED WITH STANDARD FIXTURE

- Plastic Anchors, Screws, Wire Connectors
- CCT Selector Switch



MODEL INFORMATION:

Example: SB-U102A90WSB

Products Series	Wattage/Size	"E" Kelvin temp options	"W" Controls (don't select this column if selected S or A)	"Z" Profile Finishes	"X" Aircraft Cable
*SB-U102A SB-U102B SB-U102C SB-U102D SB-U102E	*50W=23.62"+15.75"	*S=3000K/3500K/4000K Color Select by internal CCT Color Selector, 4000K factory color default set, CRI 90	*Blank=1-10V dimming L=ELV / Triac dimming	*B=Black Jack	*Blank=10' foot 120" (Standard)
	*90W=39.37"+31.50"			S=Platinum Silver	5'=5 foot 60"
	110W=47.24"+39.37"			W=Gloss White	15'=15 foot 180"
	130W=59.06"+47.24" 150W=70.87"+59.06"	A=2700K/3500K/4000K Color Select by internal CCT color Selector, 4000K factory color default set. CRI 90 T=3K-4K Tunable White control by remote/wall control R3= RGB+3000K	D=DMX (for RGBW and Tunable White, control by Wall Switch or DMX control system) C=Dali Z=ZigBee (for RGBW and CCT tunable / dimmable using remote, App and Google Alexa voice.	O=Oil Rubbed Bronze	20'=20 foot 240"
					25'=25 foot 300"
					30'=30 foot 360"
Request price for other Kelvin temp	R4=RGB+4000K	See control options	Find page 3 for color options or select from website Color Collections		

STANDARD COLOR FINISHES



GLOSS WHITE



PLATINUM SILVER



BLACK JACK



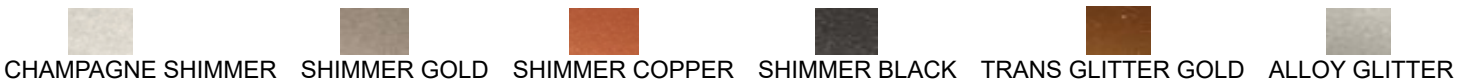
OIL RUBBED BRONZE

In addition to our standard colors, we offer more than 6,500 [finishes and colors](#) for your luminaire. We can match your paint sample, NFL football teams color or any RAL finish. Add Metallic, Sparkle, Transparent texture and originality to create a perfect custom products. Contact factory for quote.

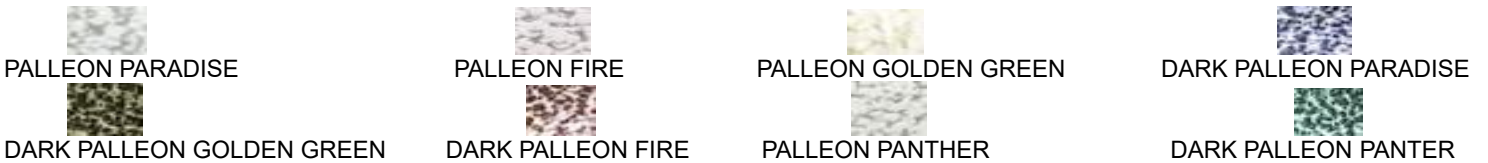
SOLID TONE FINISH



SHIMMER / GLITTER FINISH



PALLEON METALLIC TEXTURE FINISH



CHROME / SPECIALTY FINISH



SPARKLE FINISH



WETSTON WRINKLED TEXTURE FINISH




LUMEN OUTPUT (for color selectable not RGBW)

Model Number	Size	Wattage	Kelvin Temp field Selectable $\pm 500K$	Delivered Lumen $\pm 10\%$
SB-U102A/B/C/D/E	23.62"+15.75"	50W	2700K/3500K/4000K or 3000K/3500K/4000K	4100 lm
	39.37"+31.50"	90W	2700K/3500K/4000K or 3000K/3500K/4000K	7380 lm
	47.24"+39.37"	110W	2700K/3500K/4000K or 3000K/3500K/4000K	9020 lm
	59.06"+47.24"	130W	2700K/3500K/4000K or 3000K/3500K/4000K	10660 lm
	70.87"+59.06"	150W	2700K/3500K/4000K or 3000K/3500K/4000K	12300 lm

EMERGENCY BATTERY OPTIONS

[SEE SPEC](#)

PICTURE	MODEL NUMBER	DESCRIPTION
	SB-EBP/5W/B	Factory installed Remote Emergency Battery Pack 5W 90 minutes
	SB-EBP/10.7W/B	Factory installed Remote Emergency Battery Pack 10.7W 90 minutes
	SB-EBP/17W/B	Factory installed Remote Emergency Battery Pack 17W 90 minutes

RGBW/TUNABLE WHITE SMART CONTROL

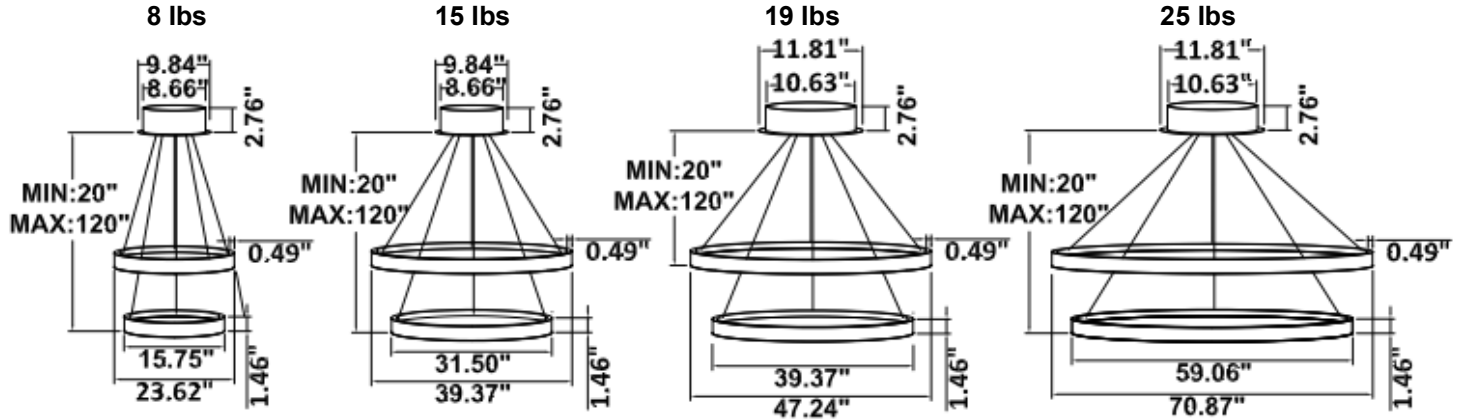
[SEE SPEC AND VIDEO](#)

Get Smart

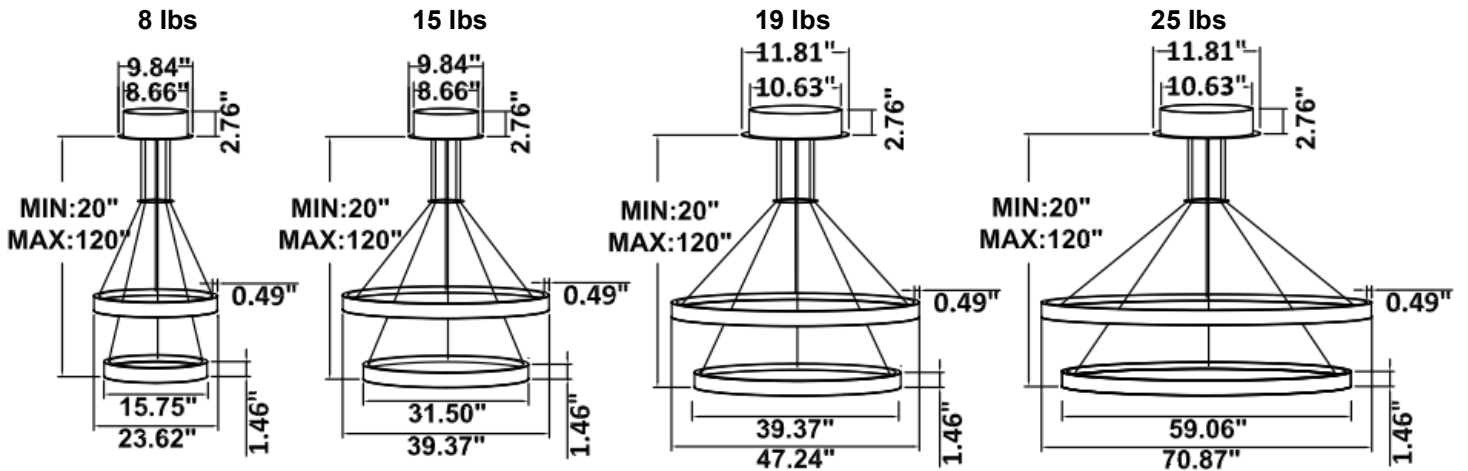
Using Amazon Echo, Echo Dot, or any Alexa-enabled device allows you to turn your luminaire on and off, dim the light and change light color to Red, Green, Blue or White independently by using voice command or Smart phone app, DMX, Handheld remote or wall control.

DIMENSIONS & WEIGHTS: Canopy Size for ZigBee & DMX: 15.75" x 2.76"

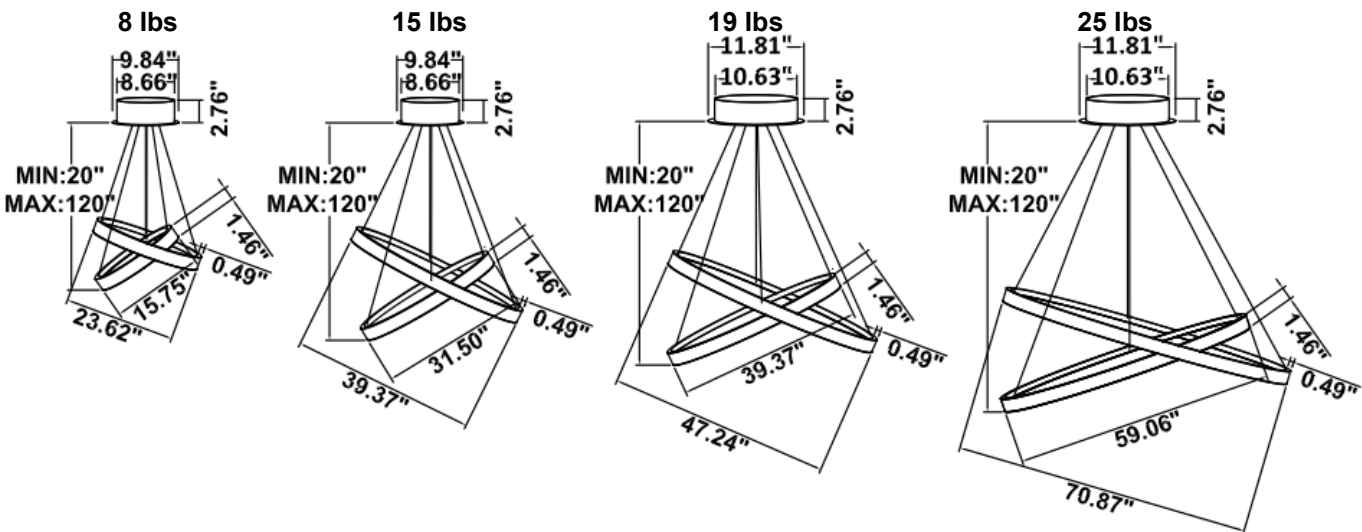
SB-U102A Canopy mount



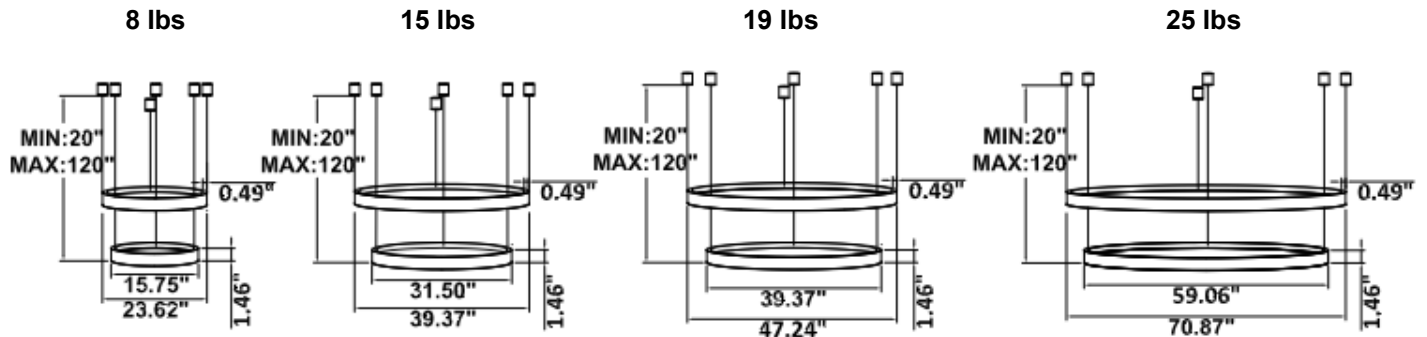
SB-U102B Canopy mount with accent ring



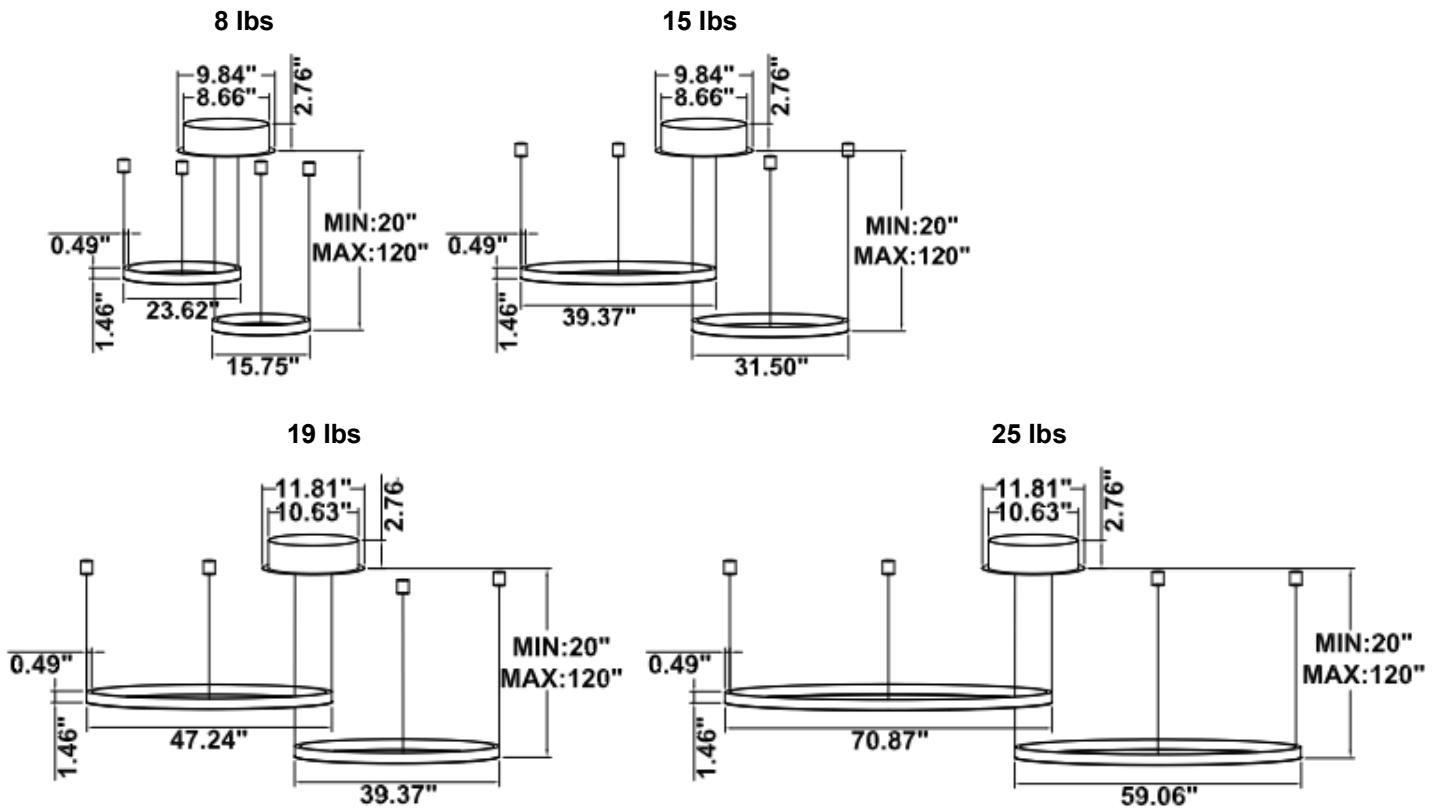
SB-U102C Canopy mount with swiveled rings



SB-U102D Remote driver with cables fixed directly in the ceiling (Driver box size: L10.83" X W3.78" X H1.81")

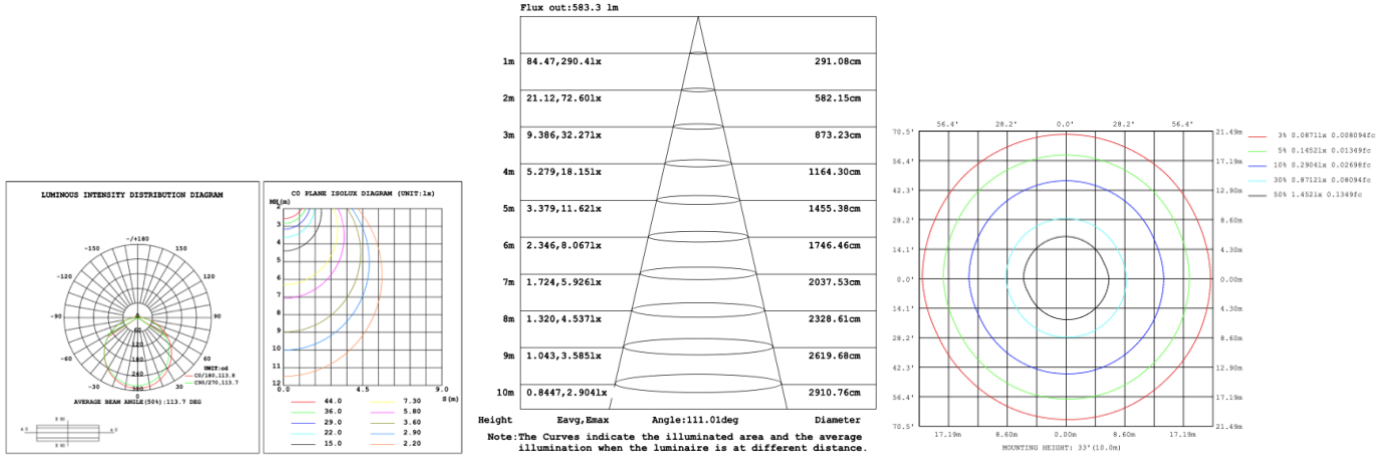


SB-U102E Canopy mount and cables fixed directly in the ceiling

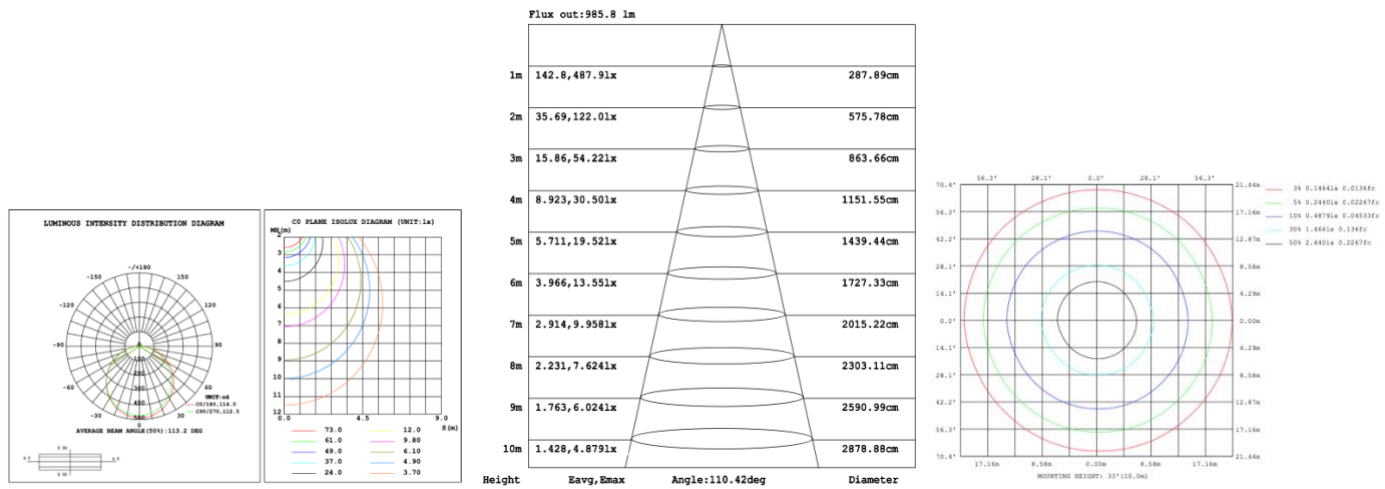


PHOTOMETRIC: Testing for single ring and direct only

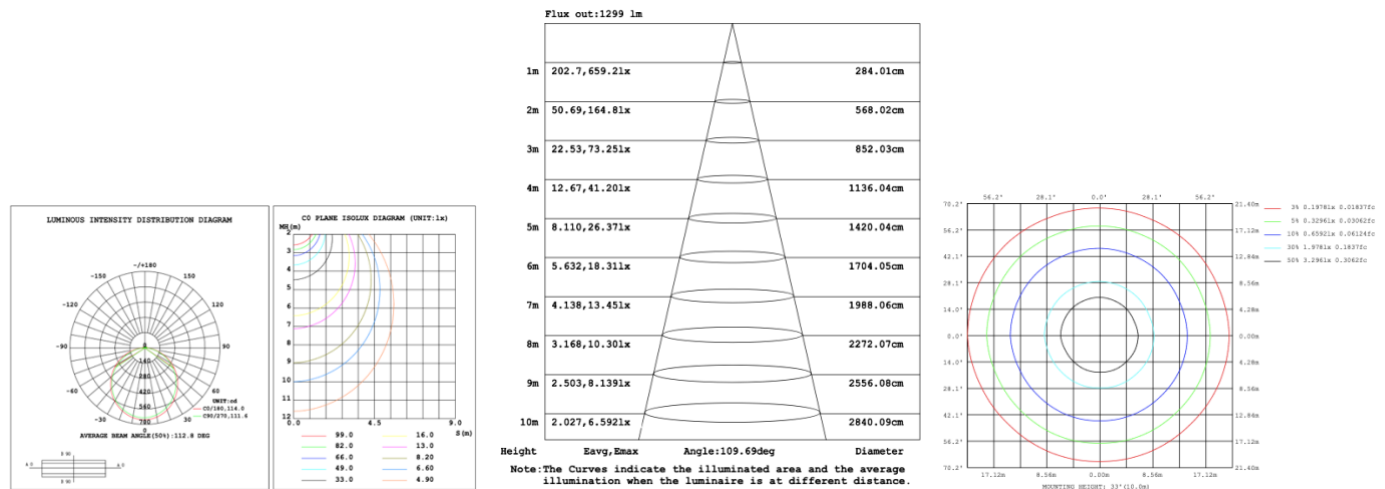
15.75" 20W @ 4000K



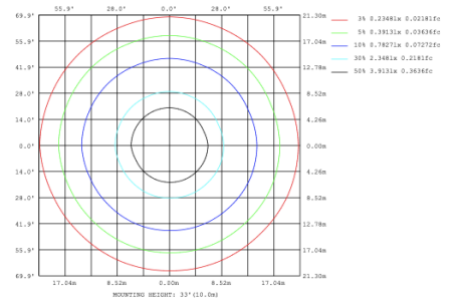
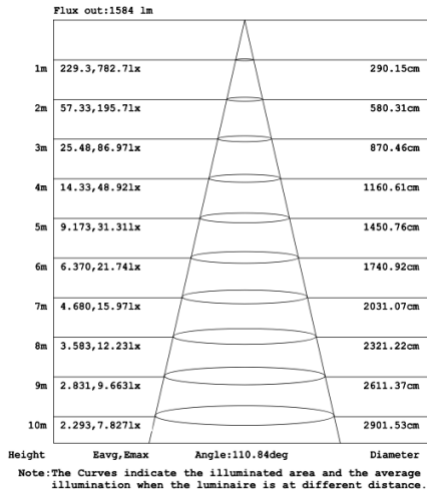
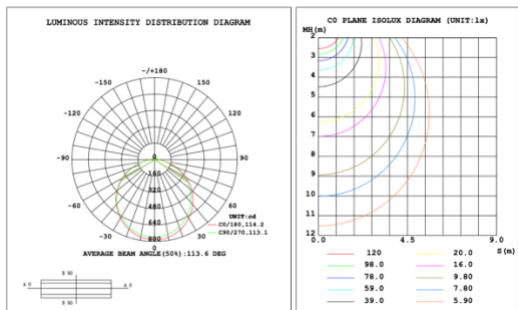
23.62" 30W @ 4000K



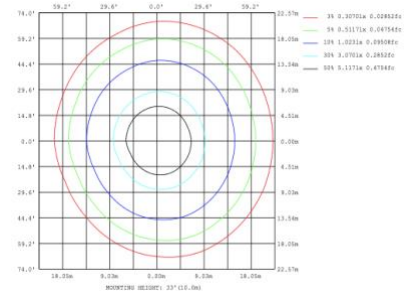
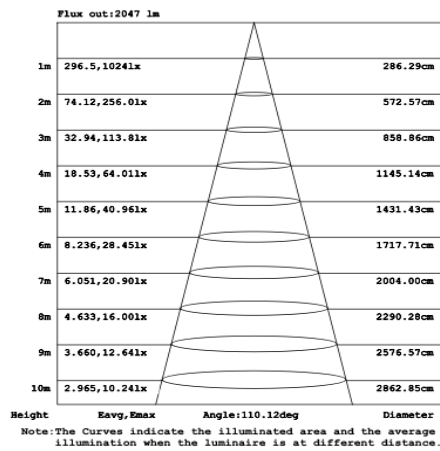
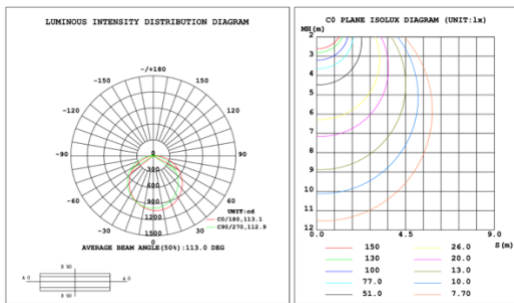
31.50" 40W @ 4000K



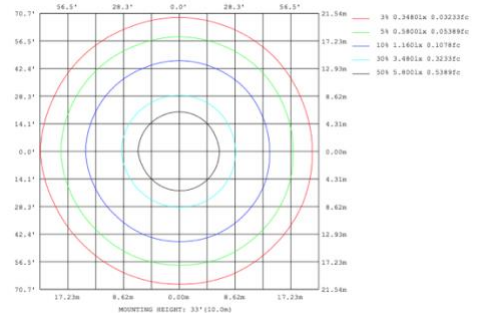
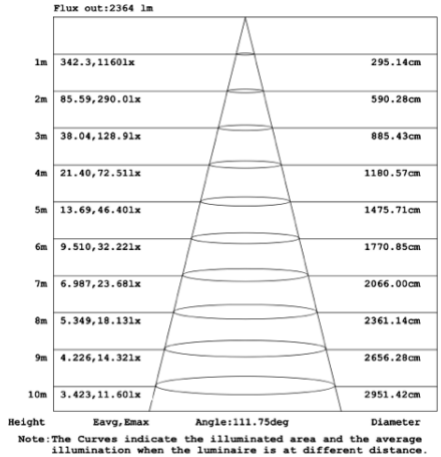
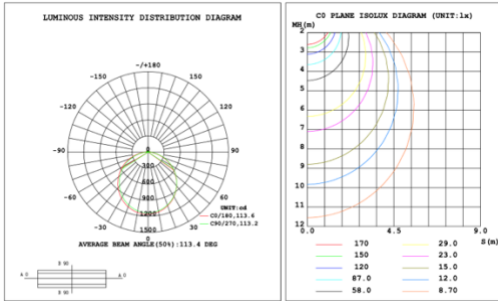
39.37" 50W @ 4000K



47.24" 60W @ 4000K



59.06" 70W @ 4000K



70.87" 80W @ 4000K

