

[View Panticosa 1 tier on website](#)

[View Video](#)

[View application photos](#)

Panticosa

PRODUCT DESCRIPTION



Introducing the Panticosa, a breathtaking design statement featuring extraordinary works of art meticulously crafted and mounted individually on extruded aluminum. With its innovative 360-degree direct and indirect lighting, it's an ideal choice for luxury residential, commercial, and hospitality spaces.

Geometrically concentric spheres, our vail luminaire pods, define this chandelier, adding an element of elegance and intrigue that sparks conversation. The charming design showcases laser-etched spherical shades gracefully embraced by bobeches and arms, creating a captivating ambience and aesthetic that is sure to delight. Shipped fully assembled for your convenience.

FEATURES

- 5-year limited warranty.
- Ships assembled.
- Illumination direct/indirect and lighting outside.
- Size from 31.5" up to 70.87".
- White frosted acrylic diffuser, Glare-free lens.
- Fixture delivered lumens per watt ratio up to 70 LPW, 22 LPW for Vail not including RGBW.
- 10' standard adjustable aircraft cables/power cord adjust by push button grippers, custom length available.
- Can be remote driver mounted or driver concealed within the canopy, can be mounted on sloped ceiling.

SPECIFICATIONS

- 90+ CRI.
- Input: 100-277V, 50/60Hz.
- 1-10V dimming standard, ELV / TRIAC, Dali, DMX, ZigBee available.
- UL listed, suitable for dry location. (BAA) Buy American compliant.
- Built in color temperature selectable. Choose from 3000K/3500K/4000K Or 2700K/3500K/4000K. Custom color temperatures. lumen outputs, RGBW, Tunable White available.

PARTS PACKED WITH STANDARD FIXTURE

- Plastic Anchors, Screws, Wire Connectors
- CCT Selector Switch



MODEL INFORMATION:

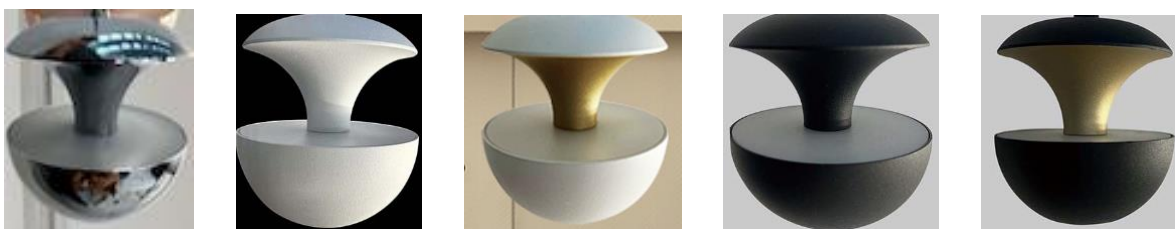
Example: SB-S301A80WSBB

Products Series	Wattage/Size	"E" Kelvin temp options	"W" Controls (don't select this column if selected S or A)	"Z" Profile Finishes	Vail Finishes	"X" Aircraft Cable
*SB-S301A SB-S301B	*80W = 31.5"	*S=3000K/3500K/4000 K Color Select by internal CCT Color Selector, 4000K factory color default set, CRI 90	*Blank=1-10V dimming (default) C= Dali	*B=Black Jack S=Platinum Silver	*C=Chrome W=White	*Blank=10' foot 120" (default) 5'=5 foot 60"
	90W = 39.37"	A=2700K/3500K/4000K Color Select by internal CCT color Selector, 4000K factory color default set. CRI 90	D=DMX (for RGBW and Tunable White, control by Wall Switch or DMX control system)	W=Gloss White O=Oil Rubbed Bronze	WG=White with Gold B=Black	15'=15 foot 180" 20'=20 foot 240"
	110W = 47.24"	T=3K-4K Tunable White control by remote/wall control	Z=ZigBee (for RGBW and CCT tunable / dimmable using remote, App and Google Alexa voice.		BG=Black with Gold	25'=25 foot 300"
	120W = 59.06"	R3= RGB+3000K	L=ELV / Triac dimming			30'=30 foot 360"
	145W = 70.87"	R4=RGB+4000K				
<p>Please request specialty pricing for alternative Kelvin temperatures, additional sizes, customizable configurations, specialty color finishes, variations in aircraft cable length, and available controls.</p>			<p>See control options</p>	<p>Find page 3 for custom color options or select from website Color Collections</p>		

RING STANDARD COLOR FINISHES



VAIL POD STANDARD COLOR FINISHES



C=Chrome W=White WG=White with Gold B=Black BG=Black with Gold

Discover beyond our standard hues with over 6,500 [finishes and colors](#) available for your luminaire, including precise color matching, NFL team colors, and custom RAL finishes. Elevate your design with metallic, sparkle, or transparent textures for a touch of individuality. Explore our most popular selections below and contact our factory for personalized quotes.

You can request color swatches by emailing us at customerservice@snowball-inc.com

Please note: Colors may appear differently due to screen display settings.



SOLID TONE FINISH

PMB-4364 Pearl White	PMB-0593 Soft White	P3B-8051 Dirty White	PMB-0513 Silver Metallic II	PMB-6525 BMW Silver	HSS-1336 Silk Satin Black
PPS-0106 Ink Black	USS-2603 Gloss Black	UMB-0336 Metallic Bronze	UMB-0493 US Bronze	EMS-0940 Spanish Gold	PMB-0808 Performance Gold
PSS-4971 Very Red	PSS-2876 Orange Glow	PSS-1791 JuJu Orange	PSS-0118 Spring Yellow	PSB-5945 Bright Green	PMB-10657 Yama Blue
PPB-2846 Purple Glaze	PSS-1670 Rosette Pink	PSS-4008 Jewel Grey	PSS-4500 Crest Grey	PSS-4647 Beach Tan	PMB-5478 Montana Gold

SHIMMER/ GLITTER FINISH

PMB-5567 Champagne Shimmer	UMB-2062 Shimmer Gold	PMS-5677 Shimmer Copper	PMB-6611 Shimmer Black	PPB-8167 Trans Glitter Gold	PMB-6762 Alloy Glitter
--------------------------------------	---------------------------------	-----------------------------------	----------------------------------	---------------------------------------	----------------------------------

PALLEON METALLIC TEXTURED FINISH

PVB-10274 Palleon Paradise	PVB-10272 Palleon Fire	PVB-10271 Palleon Golden Green	PVB-10268 Dark Palleon Paradise	PVB-10267 Dark Palleon Golden Green	PVB-10268 Dark Palleon Fire
PVB-10273 Palleon Panther	PVB-10269 Dark Palleon Panther				

CHROME/SPECIALTY FINISH

UMS-10671 Super Chrome Plus	PPB-6677 Black Chrome III	PMB-4124 Bronze Chrome	UMB-10813 Rose Chrome	UMB-10815 Brass Chrome	UMB-10816 Copper Chrome
PPS-6530 Brassy Gold	PPB-2262 Anodized Gold	PPB-8034 Melted Bronze	PPB-6325 Metallic Clear	PPB-5633 Tinted Clear	PPB-5936 Anodized Red

SPARKLE FINISH

PPB-4694 Super Red Sparkle	PPB-4727 Silver Sparkle	PPB-5835 Rockstar Sparkle	PMB-4130 Pearl Sparkle	PPB-5004 Ultra Blue Sparkle	PPB-5078 Magnum Blue Sparkle
PMB-2750 Dark Grey Sparkle	PMB-6769 Deep Blue Sparkle	PPB-4499 Gold Sparkle	PMB-4417 Baby Blue Sparkle		

WETSTONE WRINKLED TEXTURE FINISH


PWB-2232 Wetstone Black	PWB-9157 Wetstone Gold Bronze	PWB-9156 Wetstone Copper	PWB-2343 Wetstone Rock Bronze	PWB-2590 Wetstone Emerald II
-----------------------------------	---	------------------------------------	---	--

LUMEN OUTPUT

Model Number	Size	Wattage	Kevin Temp field selectable	Lumen
SB-S301A/B	31.5"	80W	2700K/3500K/3500K 3000K/3500K/4000K	7360 lm
	39.37"	90W	2700K/3500K/3500K 3000K/3500K/4000K	8280 lm
	47.24"	110W	2700K/3500K/3500K 3000K/3500K/4000K	10120 lm
	59.06"	120W	2700K/3500K/3500K 3000K/3500K/4000K	11040 lm
	70.87"	145W	2700K/3500K/3500K 3000K/3500K/4000K	13340 lm

EMERGENCY BATTERY OPTIONS

[SEE SPEC](#)

PICTURE	MODEL NUMBER	DESCRIPTION
	SB-EBP/5W/B	Factory installed Remote Emergency Battery Pack 5W 90 minutes
	SB-EBP/10.7W/B	Factory installed Remote Emergency Battery Pack 10.7W 90 minutes
	SB-EBP/17W/B	Factory installed Remote Emergency Battery Pack 17W 90 minutes

RGBW/TUNABLE WHITE SMART CONTROL

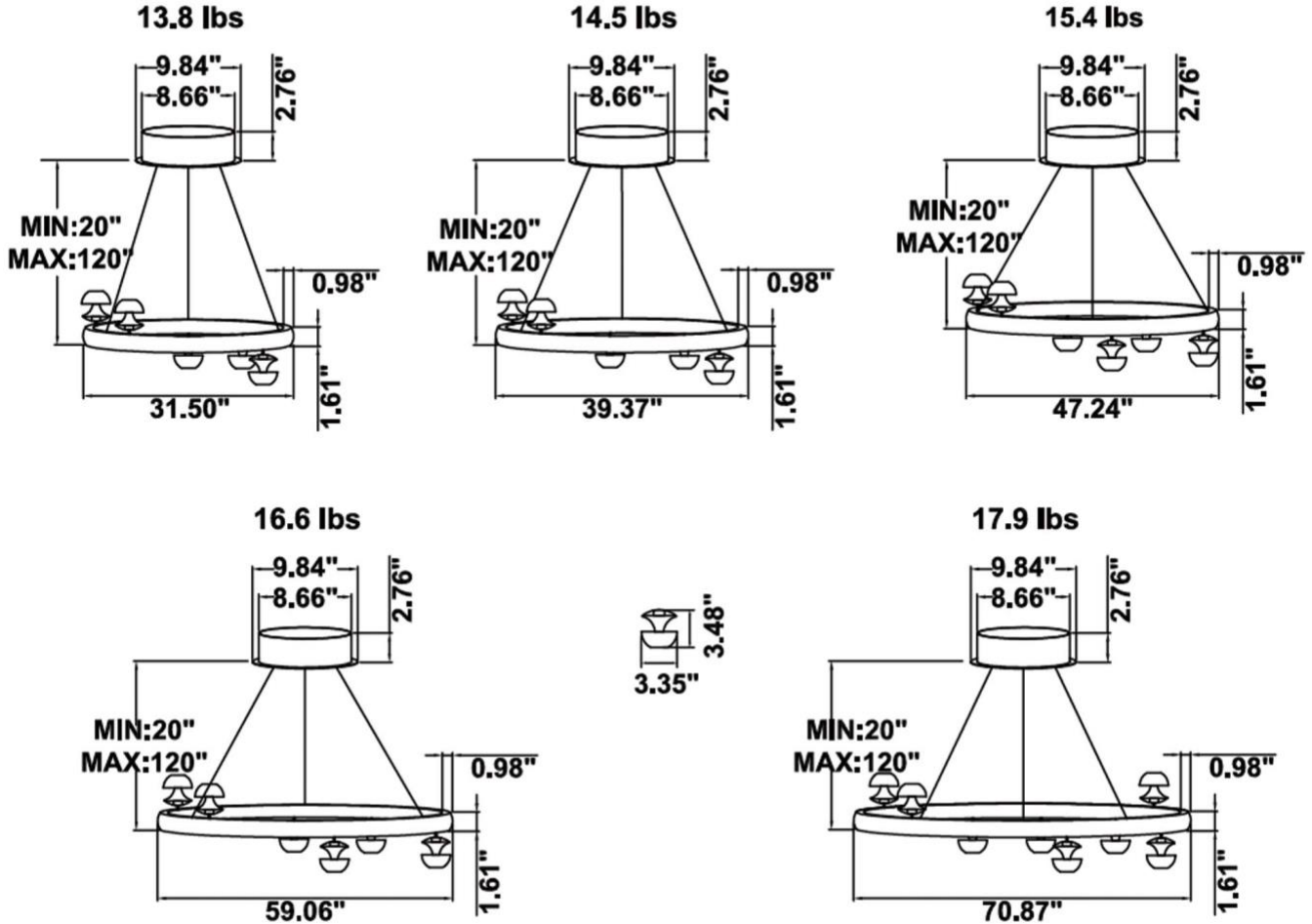
[SEE SPEC AND VIDEO](#)

Get Smart

Using Amazon Echo, Echo Dot, or any Alexa-enabled device allows you to turn your luminaire on and off, dim the light and change light color to Red, Green, Blue or White independently by using voice command or Smart phone app, DMX, Handheld remote or wall control.

DIMENSIONS & WEIGHTS: Canopy Size for ZigBee & DMX: 15.75" x 2.76"

SB-S301A Canopy mount with ring light outside, vail fixtures attached above and underneath the ring.



SB-S301B Remote mount with canopy, cables fixed directly to the ceiling, ring light outside. Vail fixtures attached above and underneath the ring.

